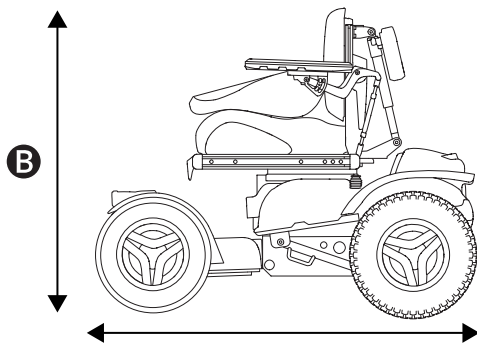
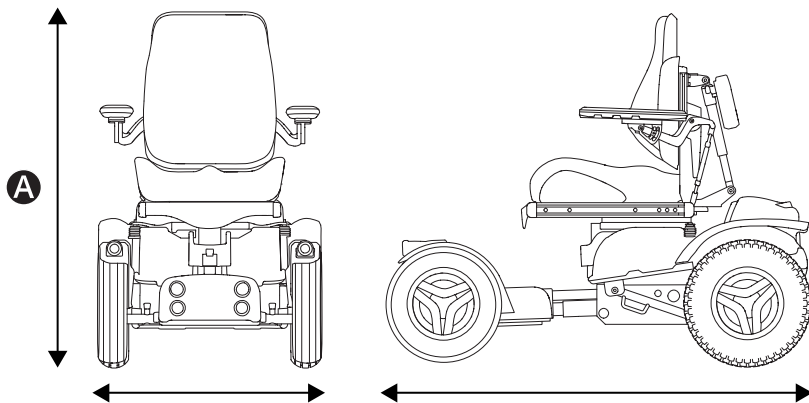


Wheelchair specification



Product name: **X850 Corpus**

Model version: **2**

Wheelchair class: **C**

A Height, width, and length

Height: 1020–1140 mm (40"–45")

Width: 690–790 mm (27"–31")

Length: 1190–1390 mm (47"–55")

B Smallest transportation size

Height: 930 mm (37")

Width: 690–790 mm (27"–31")

Length: 1190 mm (47")

👤 Weight specification

Wheelchair with batteries: 211 kg (465 lb)

Maximum user weight: 136 kg (300 lb)

The maximum user weight can vary depending on the wheelchair configuration.