

TiLite CR1

PROVIDER INFORMATION		RTS INFORMATION	
Provider:	Account #:	RTS:	Phone:
PO:	Ordered By:	Email:	
Email:		SHIP TO INFORMATION	
Mark For:		Name:	Ship Via:
TiLite Sales Rep:		Address:	
TiLite Information:	Promo Code:	City:	State: P/C
Ship Date:	Order #:	Phone:	Fax:

Please email sales.nz@permobil.com

FRAME STYLE

CRFS1 **TiLite CR1 Carbon Fibre Frame** (Minimal Adjustability. 231 lb. (105 kg) Weight Limit. For Rear Seat Width A and Seat Depth B of 15" or greater, use K0005. For Rear Seat Width A and Seat Depth B of less than 15", use E1235)

SMARTDRIVE POWER ASSIST SYSTEM

SM-MX2-168 **Permobil Smart Drive MX2+** (requires CCBR2 SmartDrive Ready Carbon Fibre Camber Tube).....\$
 (Please supply the Smart Drive MX2+ Order Form. Note: if using in combination with SpeedControl Dial, please remember to order CR1 specific frame bracket SM-MX2SD-A261.)

COLOUR ANODISE PACKAGE

(Colour Anodise Package includes: Rear Strut Band-Clamps, Footrest Clamps, Caster Center Caps, Side Guard Caps. If no anodise colour is selected, the default will be Charcoal Grey.)

CANO16 Charcoal Grey.....STD
 CANO12 Gold CANO15 Green CANO13 Purple CANO14 Orange
 CANO10 Blue CANO11 Red.....NCO

TRIM RINGS (Includes: Frame and Backrest)

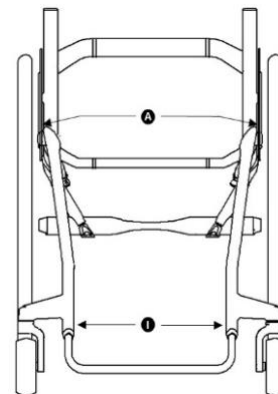
CANR1 Charcoal Grey CANR2 Polished Aluminium (with clear anodise)NCO

TiFit: TAILORED INDIVIDUALISED FRAME

SEAT WIDTH "A" Measure from outside of seat tube to the outside of the opposite seat tube.

CSW1 13" (requires CBUP3 Padded Tension Adjustable by strap back upholstery).....STD
 CSW1 14" 15" 16" 17" 18".....STD

SEAT DEPTH "B" Measure from front of back post (at the intersection with the seat tube) to the front edge of seat sling. Frame bend will start 1" in front of seat sling unless additional **Custom Frame Depth** is specified or the combination of specifications affect the rolling dynamics or functionality of the chair. Please note that 1" is the equivalent to .5" in front of the seat sling on other TiLite frame styles.



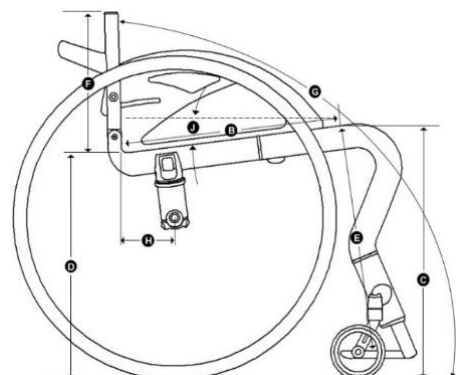
Frame 1 CFSY1
(seat angle "J" is 7 degrees from horizontal)

Seat Depth CSD1	Rear Seat-to-Floor Height "D"	Front Seat-to-Floor Height "C" CFSH1	Frame Type
<input type="checkbox"/> 13" Deep	1.6" less than FSTFH	<input type="checkbox"/> 17.5" <input type="checkbox"/> 17.75" (requires 3" castors and 24" rear wheels)	Frame 1
		<input type="checkbox"/> 18" - 20.75" (in .25" increments) Set at _____"	
	2.3" less than FSTFH	<input type="checkbox"/> 18" - 20.75" (in .25" increments) Set at _____"	Frame 2
	2.9" less than FSTFH	<input type="checkbox"/> 18" - 20.75" (in .25" increments) Set at _____"	Frame 3

2" additional custom frame depth available in .5" increments

Seat Depth CSD1	Rear Seat-to-Floor Height "D"	Front Seat-to-Floor Height "C" CFSH1	Frame Type
<input type="checkbox"/> 14" Deep	1.7" less than FSTFH	<input type="checkbox"/> 17.5" <input type="checkbox"/> 17.75" (requires 3" castors and 24" rear wheels)	Frame 1
		<input type="checkbox"/> 18" - 20.75" (in .25" increments) Set at _____"	
	2.4" less than FSTFH	<input type="checkbox"/> 18" - 20.75" (in .25" increments) Set at _____"	Frame 2
	3.1" less than FSTFH	<input type="checkbox"/> 18" - 20.75" (in .25" increments) Set at _____"	Frame 3

2" additional custom frame depth available in .5" increments



TiLite CR1

MONO-TUBE RIGID CARBON FIBRE FRAME

Seat Depth CSD1	Rear Seat-to-Floor Height "D"	Front Seat-to-Floor Height "C" CFSH1	Frame Type
<input type="checkbox"/> 15" Deep	1.8" less than FSTFH	<input type="checkbox"/> 17.5" <input type="checkbox"/> 17.75" (requires 3" casters and 24" rear wheels)	Frame 1
		<input type="checkbox"/> 18" – 20.75" (in .25" increments) Set at _____"	
	2.6" less than FSTFH	<input type="checkbox"/> 18" – 20.75" (in .25" increments) Set at _____"	Frame 2
	3.4" less than FSTFH	<input type="checkbox"/> 18" – 20.75" (in .25" increments) Set at _____"	Frame 3

2" additional custom frame depth available in .5" increments

Seat Depth CSD1	Rear Seat-to-Floor Height "D"	Front Seat-to-Floor Height "C" CFSH1	Frame Type
<input type="checkbox"/> 16" Deep	1.9" less than FSTFH	<input type="checkbox"/> 17.5" <input type="checkbox"/> 17.75" (requires 3" casters and 24" rear wheels)	Frame 1
		<input type="checkbox"/> 18" – 20.75" (in .25" increments) Set at _____"	
	2.8" less than FSTFH	<input type="checkbox"/> 18" – 20.75" (in .25" increments) Set at _____"	Frame 2
	3.6" less than FSTFH	<input type="checkbox"/> 18" – 20.75" (in .25" increments) Set at _____"	Frame 3

2" additional custom frame depth available in .5" increments

Seat Depth CSD1	Rear Seat-to-Floor Height "D"	Front Seat-to-Floor Height "C" CFSH1	Frame Type
<input type="checkbox"/> 17" Deep	2.1" less than FSTFH	<input type="checkbox"/> 18" – 20.75" (in .25" increments) Set at _____"	Frame 1
	3.0" less than FSTFH	<input type="checkbox"/> 18" – 20.75" (in .25" increments) Set at _____"	Frame 2
	3.8" less than FSTFH	<input type="checkbox"/> 18" – 20.75" (in .25" increments) Set at _____"	Frame 3

2" additional custom frame depth available in .5" increments

Seat Depth CSD1	Rear Seat-to-Floor Height "D"	Front Seat-to-Floor Height "C" CFSH1	Frame Type
<input type="checkbox"/> 18" Deep	2.2" less than FSTFH	<input type="checkbox"/> 18" – 20.75" (in .25" increments) Set at _____"	Frame 1
	3.1" less than FSTFH	<input type="checkbox"/> 18" – 20.75" (in .25" increments) Set at _____"	Frame 2
	4.0" less than FSTFH	<input type="checkbox"/> 18" – 20.75" (in .25" increments) Set at _____"	Frame 3

1" additional custom frame depth available in .5" increments

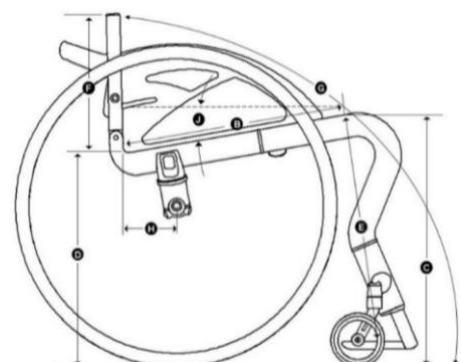
Seat Depth CSD1	Rear Seat-to-Floor Height "D"	Front Seat-to-Floor Height "C" CFSH1	Frame Type
<input type="checkbox"/> 19" Deep	2.3" less than FSTFH	<input type="checkbox"/> 18" – 20.75" (in .25" increments) Set at _____"	Frame 1
	3.3" less than FSTFH	<input type="checkbox"/> 18" – 20.75" (in .25" increments) Set at _____"	Frame 2
	4.3" less than FSTFH	<input type="checkbox"/> 18" – 20.75" (in .25" increments) Set at _____"	Frame 3

No custom frame depth available

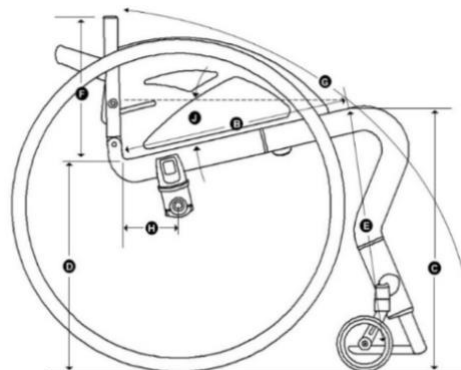
Custom Frame Depth + _____" Frame Depth Longer Than Seat Depth. Measure from front of seat sling to beginning of frame bend and can be given as specific as .5" increments. Cannot be more than 2" additional to the 1" standard (total 3" max) unless noted under the seat depth box. **NCO**

CSD3

Frame 2 CFSY2
(seat angle "J" is 10 degrees from horizontal)



Frame 3 CFSY3
(seat angle "J" is 13 degrees from horizontal)



CUSTOM CONFIGURATION OPTIONS

STANDARD FRONT END "I" Measure from inside of front frame tube to inside of opposite front frame tube.

CFE1 2.1" Taper (footrest width is 4.2" shorter than seat width "A") **STD**

FRONT ANGLE

CFA1 85° **STD**

SEAT TO FOOTREST "E" Measure from front edge of seat sling to top middle of footrest. Measurement must be 1" to 3" shorter than Front Seat Height "C" Set at: _____ (.25" increments)

CFTR13 Carbon Fibre Open Loop Footrest (with center support tube) **STD**

CFTR14 Carbon Fibre Footrest w/Flat Carbon Fiber Cover **\$**

CFCT1 Flat Carbon Fibre Cover Grip Tape **\$**

FOOTREST TRIM RINGS

CFAR3 Stainless Steel **STD**

CFAR4 Titanium **\$**

BACK SUPPORTS

ROHO® AGILITY® ACTIVE ALUMINUM Contour Back Support

- Shell Height** 8" 10"
- BRS14 AGILITY Active Aluminium Min Contour with Foam.....\$
- BRS15 AGILITY Active Aluminium Mid Contour with Foam.....\$

ROHO® AGILITY® ACTIVE CARBON Contour Back Support (2x2 Twill Weave Carbon Fibre)

- Shell Height** 10" 13" 16"
- AGILITY Carbon Min Contour Back with Foam w/ Air Insert
- BRS7 Foam w/ Air Insert.....\$
- ACB1 AGILITY Active Carbon Upgrade.....\$
- Fixed Hardware.....NCO
- AGILITY Carbon Mid Contour Back with Foam w/ Air Insert
- BRS9 Foam w/ Air Insert.....\$
- ACB2 AGILITY Active Carbon Upgrade.....\$
- Fixed Hardware.....NCO

BACK UPHOLSTERY

- CBUP6 NEW Padded Nylon, Tension Adjustable by Strap (required when seat width "A" is 13")STD
- CBUP0 Omit Back Upholstery.....NCO

Natural-Fit: TAILORED INDIVIDUALISED FRAME

SEAT BACK TYPE FOLDING, FIXED-HEIGHT "F" CARBON SEAT BACK (CSB15)

- CSB11 Backrest tubes set at: _____ (10" – 17", can be given as specific as .25" increments.)
available range with AGILITY Active solid seatback: (8" – 11", 14" – 17").....STD

SEAT BACK ANGLE "G" Measure angle from front of back post to floor.

- CSBA1 Set at: _____ (available range 80° - 101°, in 1° increments).....STD

SIDE GUARDS

- CSDG20 Downward Pivoting/Fixed Lockout Carbon Fibre Side Guards (Custom Cut to Profile of Rear Wheels).....STD
- CSDG21 Downward Pivoting/Fixed Lockout Fendered Carbon Fibre Side Guards (Custom Cut to Profile of Rear Wheels)...\$

PUSH HANDLES

- CSB10 Integrated Carbon Fibre Push Handles (short).....\$

CENTRE OF GRAVITY "H" Measure from front of back post at the seat tube to the centre of the rear axle. Please note that due to its design and materials, the CR1 has a lighter than normal front end compared to other TiLite models which will affect the overall feel when selecting this measurement. There is a maximum 1" of adjustability in either direction from the specified location.

- CCOG1 2.25" 2.5" 2.75" 3" 3.25" 3.5" 3.75" 4" 4.25" 4.5" 4.75" 5".....STD

CAMBER TUBES

- CCBR8 Aero Full Carbon Fibre Camber Tube with integrated Zero Play Carbon Fibre Camber Plugs (Not available on 13" wide chairs or certain configuration combinations)
- 0° 2° 4° CCBR1.....STD
- CCBR9 SmartDrive Ready (round) Carbon Fibre Camber Tube with integrated Zero Play Carbon Fibre Camber Plugs
- 0° 2° 4° CCBR1.....NCO

FRONT WHEELS

- CFW24 3"x1.5" LiteSpeed-7 Billet Aluminium Wheel w/Soft Roll Tyre (required when FSTFH "C" is 17.5")
- Silver Hub **OR** Black Hub.....NCO
- CFW27 4"x1.5" LiteSpeed-7 Billet Aluminium Wheel w/Soft Roll Tyre
- Silver Hub **OR** Black Hub.....STD
- CFW1 4"x1.25" (10cmx4cm) LiteSpeed-6 Carbon Fibre Wheel w/Soft Roll Tyre.....\$

FRONT FORKS

- CFK2 TiLite Slipstream-CR1 Single-Sided Fork (Shorter length and width, stainless steel castor axle).....STD
- CTFS1 Titanium Fork Stem.....STD
- CTFA1 Titanium Castor Axle.....\$

PERFORMANCE REAR WHEELS

- CRW7 Spinergy® Spox Black.....STD
- 24"(540)
- 25"(559)
- CRW16 Spinergy® Carbon Blade (Not available with Natural-Fit or Natural-Fit LT with Standard Grip or Super Grip.).....\$
- 24"(540)
- 25"(559)

AXLES

CAXL1	<input type="checkbox"/> Stainless Quick Release.....	STD
CAXL2	<input type="checkbox"/> Titanium Quick Release.....	\$
CAXL3	<input type="checkbox"/> Quad Release.....	\$

PNEUMATIC REAR TYRES

CRTR31	<input type="checkbox"/> MBL® SpeedLite.....	STD
CRTR10	<input type="checkbox"/> MBL® Gazelle (<i>Kevlar bead, lightest weight option</i>)	\$
CRTR8	<input type="checkbox"/> Schwalbe® Marathon Plus Evolution.....	\$

HANDRIMS

CRIM21	<input type="checkbox"/> Aluminium – Black Anodised.....	STD
CRIM23	<input type="checkbox"/> Spinergy® Aluminium – Anodised to match chair color anodise package.....	\$
CRIM12	<input type="checkbox"/> Titanium – Satin Finish.....	\$
CRIM20	<input type="checkbox"/> Q-Grip (<i>Exclusive High-Friction, Anti-Slip Coating</i>)	\$

The Natural-Fit® LT (Reduced Weight, Smaller Profile)

CRIM17	<input type="checkbox"/> Standard Grip (<i>Not available with Short Tabs or Spinergy Carbon Blade Rear Wheels.</i>)	\$
CRIM18	<input type="checkbox"/> Super Grip (<i>Not available with Short Tabs or Spinergy Carbon Blade Rear Wheels.</i>)	\$
CRIM19	<input type="checkbox"/> Without Thumb Grip.....	\$

Tab Length

CRIM7	<input type="checkbox"/> Long Tabs.....	STD
CRIM8	<input type="checkbox"/> Short Tabs (<i>Trimmed, not available with The Natural-Fit® Handrims with Thumb Grip.</i>)	\$

WHEEL LOCKS

CWLK11	<input type="checkbox"/> MBL® Composite Scissor Lock.....	STD
CWLK10	<input type="checkbox"/> Omit Scissor Lock (<i>Note that selecting this option prevents adding wheel locks at a later date.</i>)	NCO

SEAT UPHOLSTERY

CSUP2	<input type="checkbox"/> Tension Adjustable by Straps (<i>Black upholstery only.</i>)	STD
-------	---	------------

SEAT CUSHION

CCSH2	<input type="checkbox"/> Comfort Curve Cushion (<i>Stretch-Air cover</i>)	\$
CCSH11	<input type="checkbox"/> ROHO Single Compartment (<i>Fits seat widths 14" to 19"</i>) Profile: <input type="checkbox"/> Low <input type="checkbox"/> Mid <input type="checkbox"/> High.....	\$
CCSH14	<input type="checkbox"/> ROHO Quadro Select (<i>Fits seat widths 14" to 19"</i>) Profile: <input type="checkbox"/> Low <input type="checkbox"/> Mid <input type="checkbox"/> High.....	\$

POSITIONING BELT

CBLT1	Velcro Adjustable, Black Nylon Webbing.....	\$
-------	---	----

IMPACT GUARDS

CMPCT2	<input type="checkbox"/> Black Neoprene Impact Guards with Ultrasuede Stripe.....	\$
--------	---	----

CALF STRAP

BP-SP102x	Bodypoint® Padded Velcro Adjustable.....	\$
	<input type="checkbox"/> Medium (<i>Recommended for 13" – 16" Chair Widths.</i>)	
	<input type="checkbox"/> Large (<i>Recommended for 17" – 18" Chair Widths.</i>)	

BACKPACK

CBCK3	<input type="checkbox"/> Permobil Medical Necessities Backpack.....	\$
-------	---	----

SEAT POUCH

CPCH3	<input type="checkbox"/> Permobil Medical Necessities Seat Pouch.....	\$
BP-SP001	<input type="checkbox"/> Bodypoint® Mobility Bag.....	\$

ANTI-TIPS

CTIP1	<input type="checkbox"/> Rear Aluminium – Black.....	\$
-------	--	----

GENERAL

Permobil manufactures TiLite manual wheelchairs in a wide variety of configurations to meet the varied needs of wheelchair users. The final selection of a particular model, its options and accessories, and its measurements rests solely with the wheelchair user and advising healthcare professional. These wheelchairs must be fitted by a qualified healthcare professional.

Get the latest order forms at permobil.com/en-nz. Prices, standard features, options and accessories are subject to change without notice. All rights reserved. Trademarks are identified by symbols™ and ®. TiLite, TiFit, the TiLite logo, Ti, the Ti logo, and TiShaft are registered trademarks of TiSport, LLC and are licensed to Permobil. Permobil® is a registered trademark of Permobil. Adobe®, Acrobat®, Acrobat Professional® and Reader® are registered trademarks of Adobe Systems Inc. Bodypoint® is a registered trademark of Bodypoint Inc. ROHO®, AGILITY®, Low Profile® and Quadro Select® are registered trademarks of ROHO Inc. Spinergy® is a registered trademark of Spinergy Inc. Schwalbe® is a registered trademark of Ralf Bohle GmbH. The Natural-Fit® is a registered trademark of Three Rivers Holdings, LLC. The CURVE® is a registered trademark of THE COMFORT COMPANY® and are licensed to Permobil .

NOTES
