

Data

The following dimension and weight information relates to a PS junior of standard design (incl. control panel) and with the following settings, 70° Leg rest, Seat depth 17", Seat width 16" and Back rest angle 90°.

General

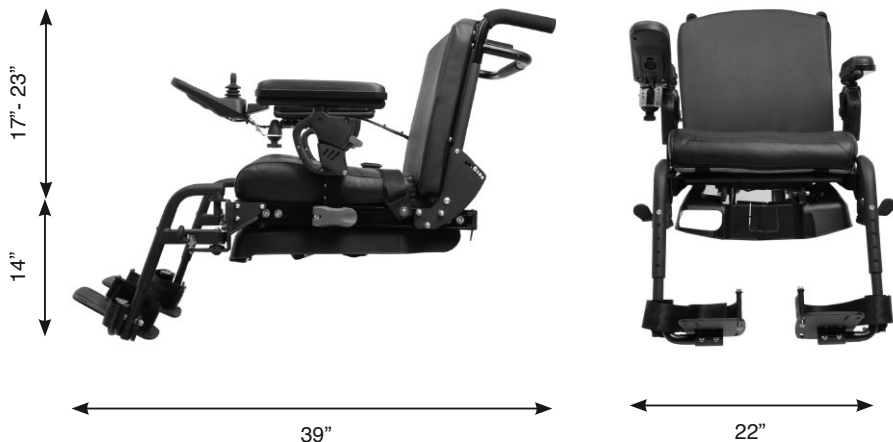
Name PS Junior

Dimension and weight information

Max. Leg Rest Length * 14"
 Overall length ** 39"
 Overall width *** 22"
 Height **** 17" - 23"
 Seat weight..... approximately 58 lbs.

Max. weight of user

Pemobil K300 165 lbs



- * Vertical measurement from rear edge of foot plate to seat pan.
- ** Horizontal measurement from front of Footplates to back of Push Handles.
- *** Horizontal measurement from outside of Armrest to outside of Control Panel.
- **** Vertical measurement from Seat Pan to upper edge on push handles.