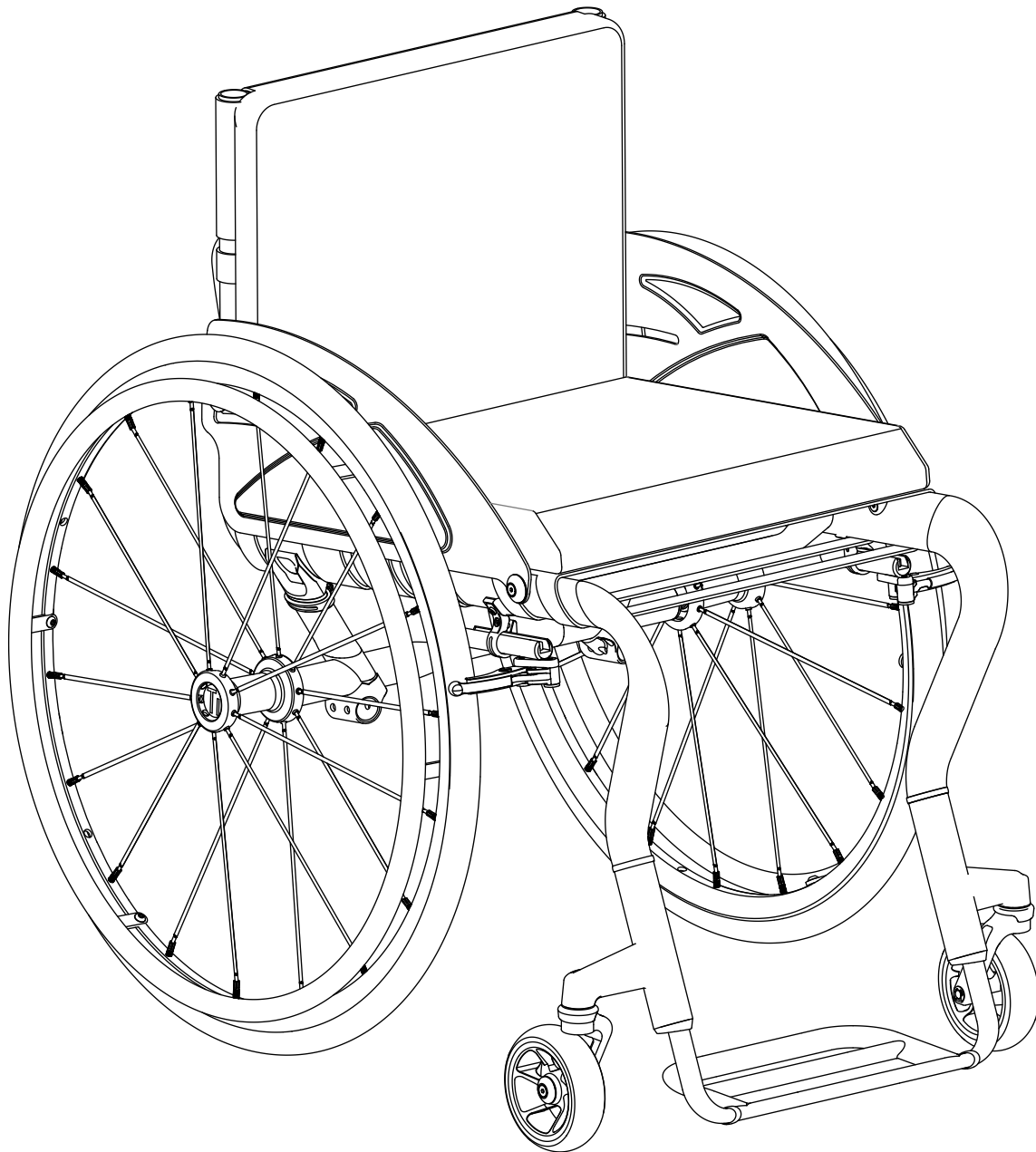


Parts Manual

# TiLite<sup>®</sup> CR1



**permobil**



**Table of Contents**

Back Supports . . . . . 2  
 Push Handles . . . . . 2  
 Hardware . . . . . 2  
 Sideguards . . . . . 3  
 Right Side Options . . . . . 3  
 Left Side Options . . . . . 3  
 Hardware . . . . . 3  
 Footrest . . . . . 4  
 Center of Gravity . . . . . 5  
 Wheel Locks . . . . . 6  
 Anti-Tips . . . . . 7  
 Casters . . . . . 8-9  
 Upholstery . . . . . 10  
 Seat . . . . . 10  
 Back Support. . . . . 11  
 Back Support Push Ears . . . . . 12  
 Rear Wheels . . . . . 13-14  
 Handrims . . . . . 14  
 Accessories . . . . . 15

**Manufacturer Information**

 TiSport, LLC  
 2701 W. Court St.  
 Pasco, WA 99301 USA

Customer Support:  
 U.S.A.:  
 800-736-0925  
 Fax: 866-586-2416  
 customerservice.tilite@permobil.com

permobil.com

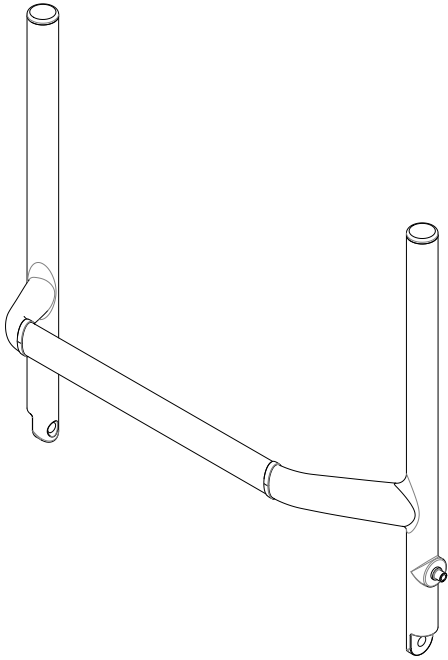
TiLite is part of Permobil.

Product information is changed as needed; current product information is available at permobil.com.

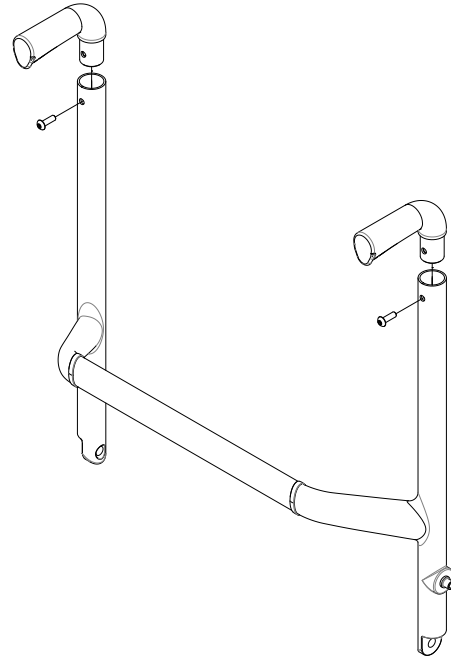
© 2023 Permobil

Rev. 2023-08-10

## Back Supports

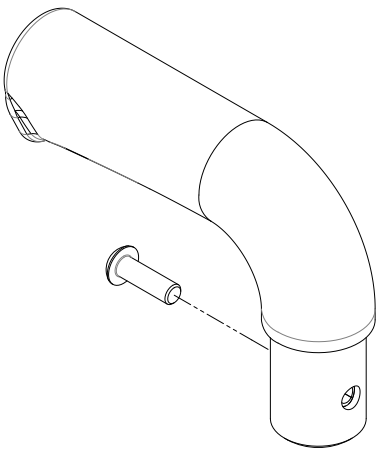


804711	Back Support, No Push Handles, Charcoal Grey Rings*
804744	Back Support, No Push Handles, Brushed Aluminum Rings*



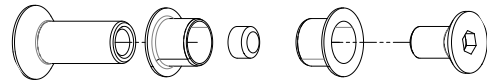
804762	Back Support, With Push Handles, Charcoal Grey Rings*
804771	Back Support, With Push Handles, Brushed Aluminum Rings*

## Push Handles



804716	Push Handle, Single (Two required per back assembly)
--------	--

## Hardware

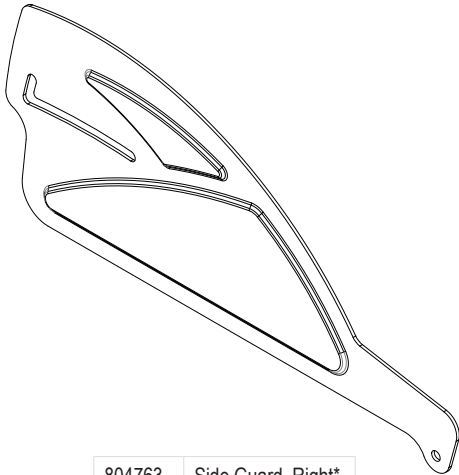


804713	Back Support Pivot Hardware Kit, Single (Two required per back assembly)
--------	--

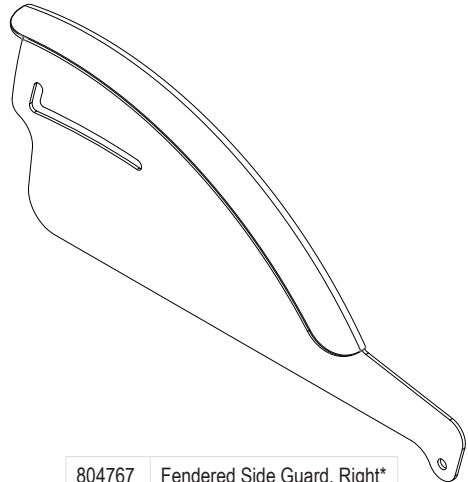
\*This part number is configuration specific. To order, provide the part number and the serial number of the wheelchair it will be installed upon.

**Side Guards**

**Right Side Options**

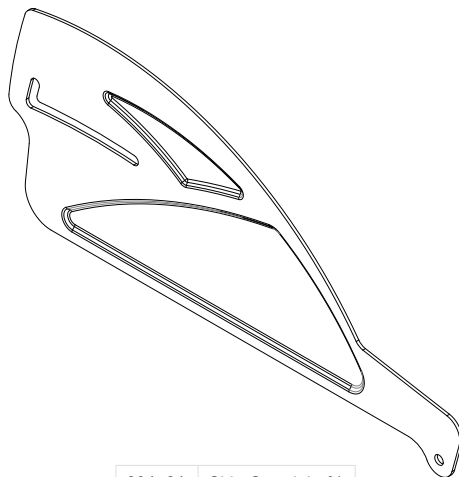


804763 Side Guard, Right\*

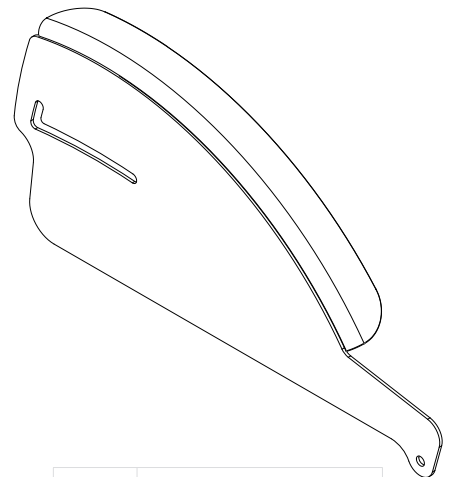


804767 Fendered Side Guard, Right\*

**Left Side Options**

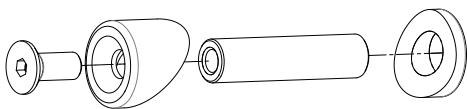


804764 Side Guard, Left\*

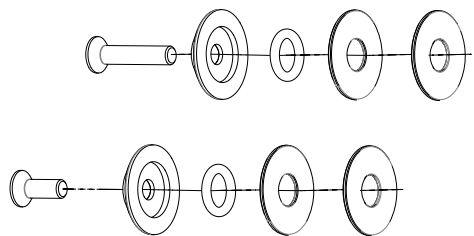


804799 Fendered Side Guard, Left\*

**Hardware**



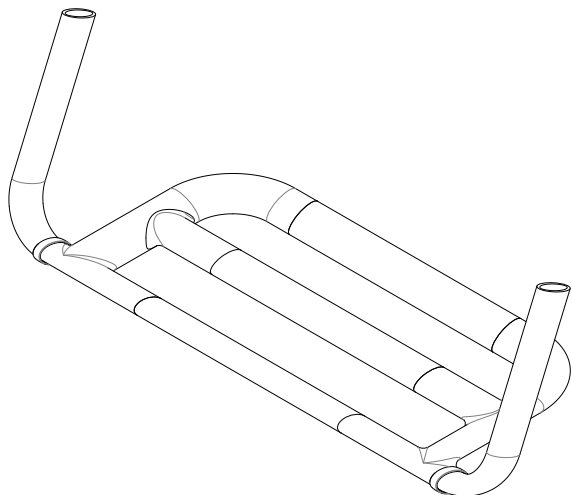
804718 Side Guard Front Pivot Kit, Single  
(Two required per wheelchair)



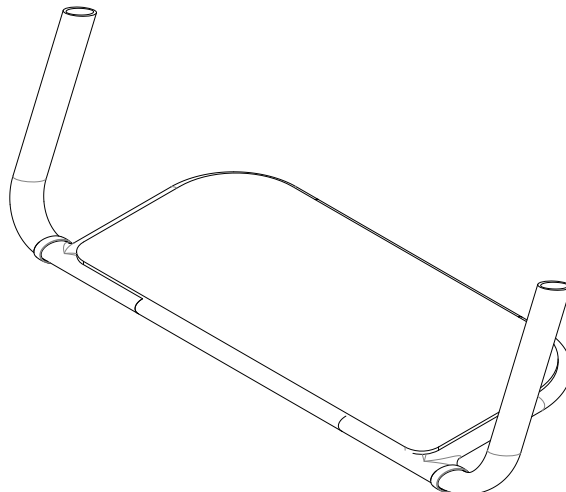
804719-CK20	Side Guard Attachment Kit, Red
804719-CK21	Side Guard Attachment Kit, Blue
804719-CK22	Side Guard Attachment Kit, Purple
804719-CK23	Side Guard Attachment Kit, Orange
804719-CK24	Side Guard Attachment Kit, Green
804719-CK25	Side Guard Attachment Kit, Gold
804719-CK26	Side Guard Attachment Kit, Charcoal Grey
Note: Two required per wheelchair	

\*This part number is configuration specific. To order, provide the part number and the serial number of the wheelchair it will be installed upon.

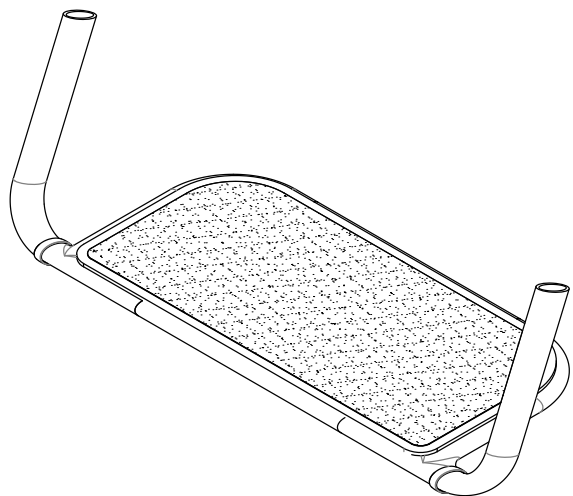
**Footrest**



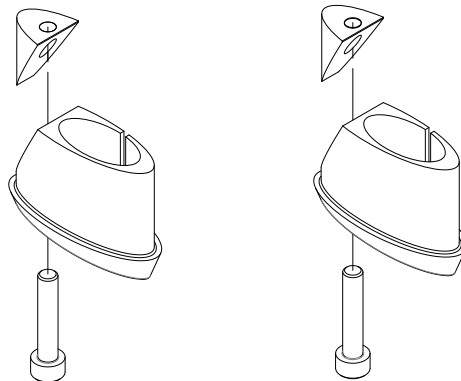
804768	Carbon Fiber Open Loop Footrest, Stainless Steel Trim Rings*
804772	Carbon Fiber Open Loop Footrest, Titanium Trim Rings*



804769	Carbon Fiber Open Loop Footrest with Flat Cover, Stainless Steel Trim Rings*
804773	Carbon Fiber Open Loop Footrest with Flat Cover, Titanium Trim Rings*



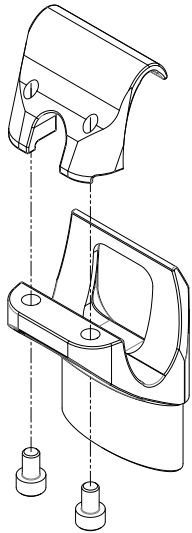
804770	Carbon Fiber Open Loop Footrest with Flat Cover and Grip Tape, Stainless Steel Trim Rings*
804774	Carbon Fiber Open Loop Footrest with Flat Cover and Grip Tape, Titanium Trim Rings*



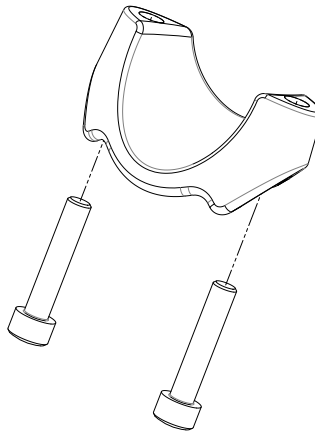
804720-CK20	Footrest Clamp, Pair, Red
804720-CK21	Footrest Clamp, Pair, Blue
804720-CK22	Footrest Clamp, Pair, Purple
804720-CK23	Footrest Clamp, Pair, Orange
804720-CK24	Footrest Clamp, Pair, Green
804720-CK25	Footrest Clamp, Pair, Gold
804720-CK26	Footrest Clamp, Pair, Charcoal Grey

\*This part number is configuration specific. To order, provide the part number and the serial number of the wheelchair it will be installed upon.

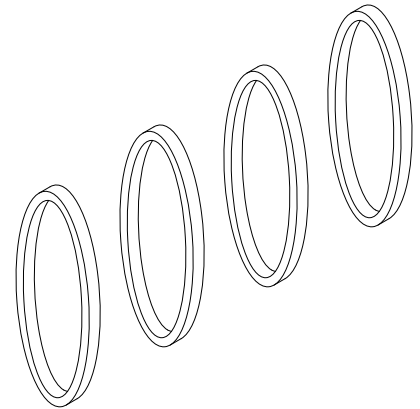
**Center of Gravity**



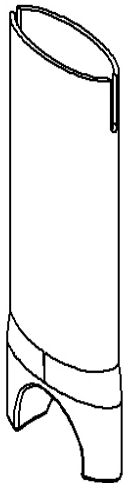
804721-CK26	Frame Clamp Kit, Single, Charcoal Grey (Two required per wheelchair)
804721-CK27	Frame Clamp Kit, Single, Brushed Aluminum (Two required per wheelchair)



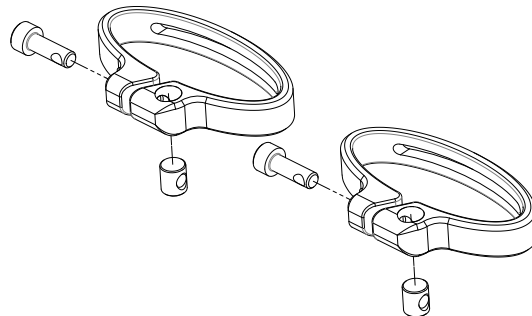
804722	Camber Clamp Kit, Single (Two required per wheelchair)
--------	---



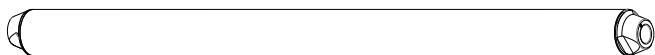
804723	Strut Spacer Kit
--------	------------------



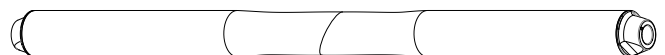
804724	Strut, Single* (Two required per wheelchair)
--------	---



804726-CK20	Strut Clamp, Pair, Red
804726-CK21	Strut Clamp, Pair, Blue
804726-CK22	Strut Clamp, Pair, Purple
804726-CK23	Strut Clamp, Pair, Orange
804726-CK24	Strut Clamp, Pair, Green
804726-CK25	Strut Clamp, Pair, Gold
804726-CK26	Strut Clamp, Pair, Charcoal Grey



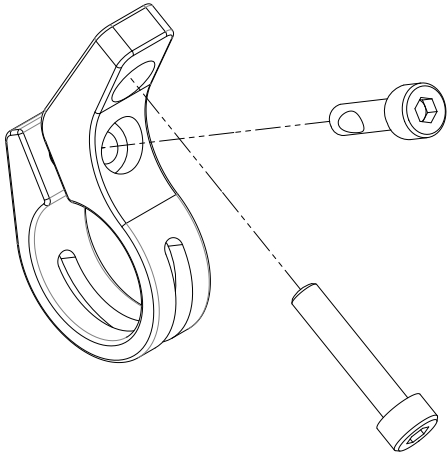
804727	Round Carbon Fiber Camber Tube, 0 Degrees*
804754	Round Carbon Fiber Camber Tube, 2 Degrees*
804792	Round Carbon Fiber Camber Tube, 4 Degrees*



804736	Aero Carbon Fiber Camber Tube, 0 Degrees*
804790	Aero Carbon Fiber Camber Tube, 2 Degrees*
804791	Aero Carbon Fiber Camber Tube, 4 Degrees*

\*This part number is configuration specific. To order, provide the part number and the serial number of the wheelchair it will be installed upon.

## Wheel Locks



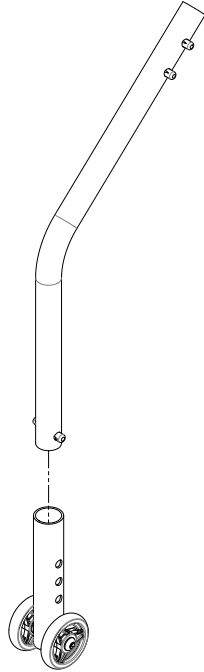
804728	Wheel Lock Clamp Kit, Single (Two required per wheelchair)
--------	---



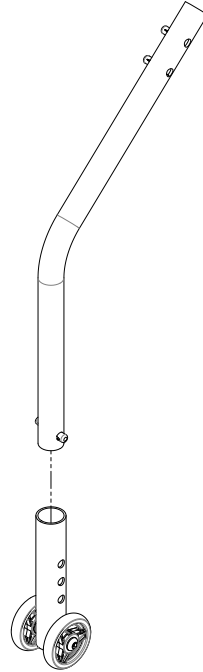
204881	MBL Wheellock, Right
204882	MBL Wheellock, Left



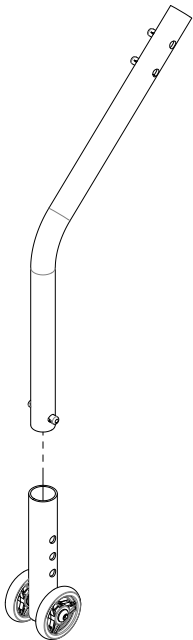
**Anti-Tips**



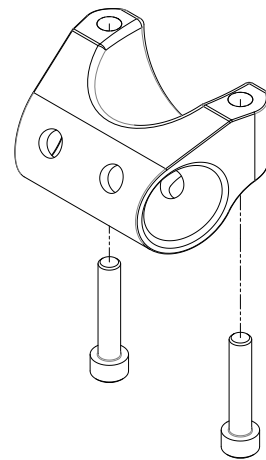
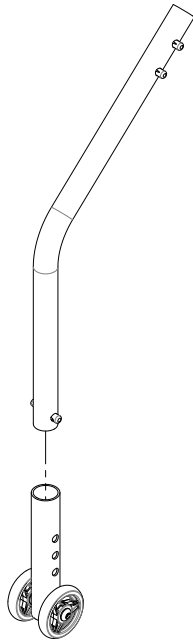
804737	Anti-Tip, Right
804817	Anti-Tip, Short, Right



804738	Anti-Tip, Left
804818	Anti-Tip, Short, Left

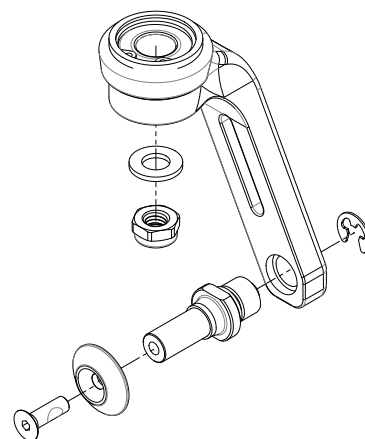
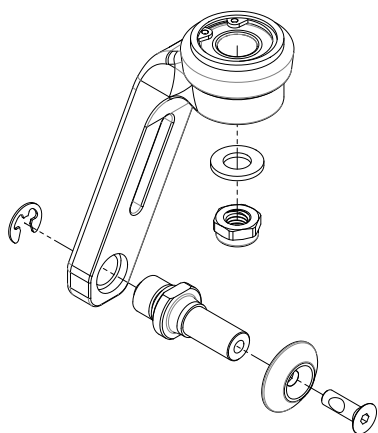


804743	Anti-Tip, Pair
804819	Anti-Tip, Short, Pair



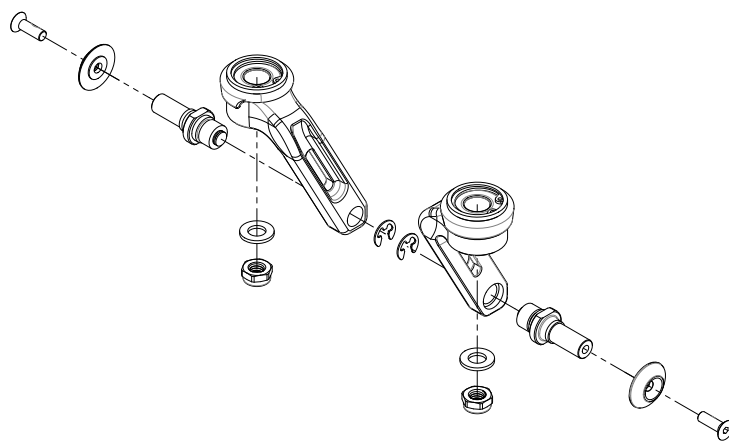
804729	Anti-Tip Clamp Kit (Two required per wheelchair)
--------	--

**Casters**



804730-CK20	TiLite Slipstream Single Sided Fork, Stainless Axle, Right, Red
804730-CK21	TiLite Slipstream Single Sided Fork, Stainless Axle, Right, Blue
804730-CK22	TiLite Slipstream Single Sided Fork, Stainless Axle, Right, Purple
804730-CK23	TiLite Slipstream Single Sided Fork, Stainless Axle, Right, Orange
804730-CK24	TiLite Slipstream Single Sided Fork, Stainless Axle, Right, Green
804730-CK25	TiLite Slipstream Single Sided Fork, Stainless Axle, Gold
804730-CK26	TiLite Slipstream Single Sided Fork, Stainless Axle, Right, Charcoal Grey
804732-CK20	TiLite Slipstream Single Sided Fork, Titanium Axle, Right, Red
804732-CK21	TiLite Slipstream Single Sided Fork, Titanium Axle, Right, Blue
804732-CK22	TiLite Slipstream Single Sided Fork, Titanium Axle, Right, Purple
804732-CK23	TiLite Slipstream Single Sided Fork, Titanium Axle, Right, Orange
804732-CK24	TiLite Slipstream Single Sided Fork, Titanium Axle, Right, Green
804732-CK25	TiLite Slipstream Single Sided Fork, Titanium Axle, Right, Gold
804732-CK26	TiLite Slipstream Single Sided Fork, Titanium Axle, Right, Charcoal Grey

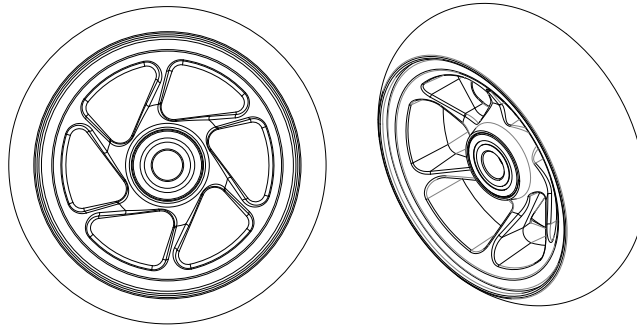
804731-CK20	TiLite Slipstream Single Sided Fork, Stainless Axle, Left, Red
804731-CK21	TiLite Slipstream Single Sided Fork, Stainless Axle, Left, Blue
804731-CK22	TiLite Slipstream Single Sided Fork, Stainless Axle, Left, Purple
804731-CK23	TiLite Slipstream Single Sided Fork, Stainless Axle, Left, Orange
804731-CK24	TiLite Slipstream Single Sided Fork, Stainless Axle, Left, Green
804731-CK25	TiLite Slipstream Single Sided Fork, Stainless Axle, Left, Gold
804731-CK26	TiLite Slipstream Single Sided Fork, Stainless Axle, Left, Charcoal Grey
804798-CK20	TiLite Slipstream Single Sided Fork, Titanium Axle, Left, Red
804798-CK21	TiLite Slipstream Single Sided Fork, Titanium Axle, Left, Blue
804798-CK22	TiLite Slipstream Single Sided Fork, Titanium Axle, Left, Purple
804798-CK23	TiLite Slipstream Single Sided Fork, Titanium Axle, Left, Orange
804798-CK24	TiLite Slipstream Single Sided Fork, Titanium Axle, Left, Green
804798-CK25	TiLite Slipstream Single Sided Fork, Titanium Axle, Left, Gold
804798-CK26	TiLite Slipstream Single Sided Fork, Titanium Axle, Left, Charcoal Grey



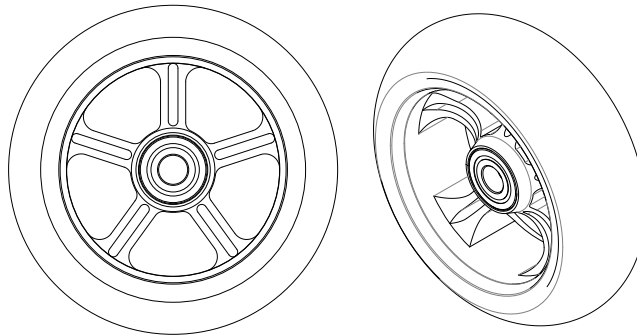
804735-CK20	TiLite Slipstream Single Sided Fork, Stainless Axle, Pair, Red
804735-CK21	TiLite Slipstream Single Sided Fork, Stainless Axle, Pair, Blue
804735-CK22	TiLite Slipstream Single Sided Fork, Stainless Axle, Pair, Purple
804735-CK23	TiLite Slipstream Single Sided Fork, Stainless Axle, Pair, Orange
804735-CK24	TiLite Slipstream Single Sided Fork, Stainless Axle, Pair, Green
804873-CK25	TiLite Slipstream Single Sided Fork, Stainless Axle, Pair, Gold
804735-CK26	TiLite Slipstream Single Sided Fork, Stainless Axle, Pair, Charcoal Grey

804815-CK20	TiLite Slipstream Single Sided Fork, Titanium Axle, Pair, Red
804815-CK21	TiLite Slipstream Single Sided Fork, Titanium Axle, Pair, Blue
804815-CK22	TiLite Slipstream Single Sided Fork, Titanium Axle, Pair, Purple
804815-CK23	TiLite Slipstream Single Sided Fork, Titanium Axle, Pair, Orange
804815-CK24	TiLite Slipstream Single Sided Fork, Titanium Axle, Pair, Green
804815-CK25	TiLite Slipstream Single Sided Fork, Titanium Axle, Pair, Gold
804815-CK26	TiLite Slipstream Single Sided Fork, Titanium Axle, Pair, Charcoal Grey

Casters, continued

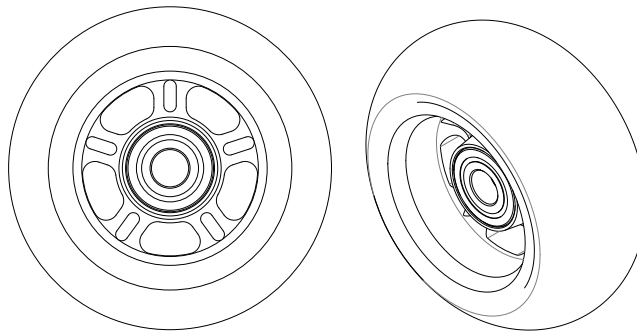


804734 4" x 1.25" LiteSpeed-6 Carbon Fiber Wheel with Soft Roll Tire, Pair



MA112009-Z 4" x 1.5" Softroll Caster, Silver Hub, Pair

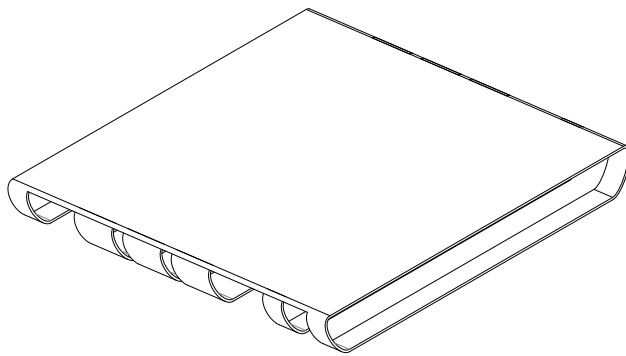
MA112013-Z 4" x 1.5" Softroll Caster, Black Hub, Pair



MA112008-Z 3 x 1.5" Softroll Caster, Silver Hub, Pair

**Upholstery**

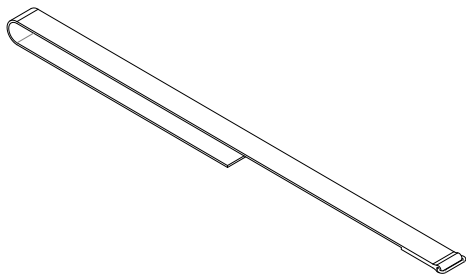
**Seat**



Seat Sling Assembly

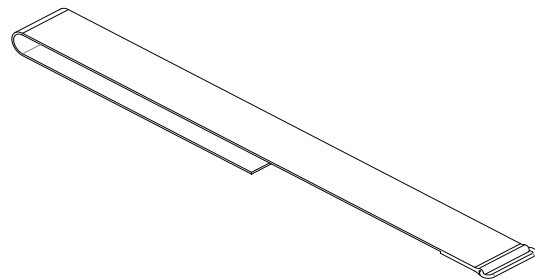
		Seat Width					
		13	14	15	16	17	18
Seat Depth	13	400008-1313	400008-1413	400008-1513	400008-1613	400008-1713	400008-1813
	14	400008-1314	400008-1414	400008-1514	400008-1614	400008-1714	400008-1814
	15	400008-1315	400008-1415	400008-1515	400008-1615	400008-1715	400008-1815
	16	400008-1316	400008-1416	400008-1516	400008-1616	400008-1716	400008-1816
	17	400008-1317	400008-1417	400008-1517	400008-1617	400008-1717	400008-1817
	18	400008-1318	400008-1418	400008-1518	400008-1618	400008-1718	400008-1818
	19	400008-1319	400008-1419	400008-1519	400008-1619	400008-1719	400008-1819

**Seat Straps**



1" Seat Straps

Seat Width	13	400005-0113
	14	400005-0114
	15	400005-0115
	16	400005-0116
	17	400005-0117
	18	400005-0118

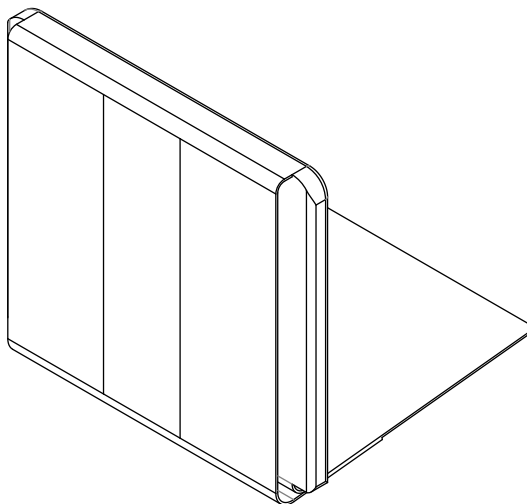
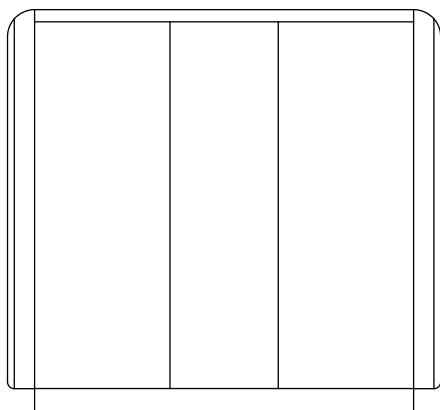


2" Seat Straps

Seat Width	13	400005-0213
	14	400005-0214
	15	400005-0215
	16	400005-0216
	17	400005-0217
	18	400005-0218

**Upholstery, continued**

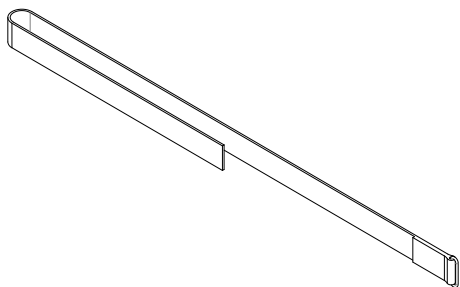
**Back Support**



Back Support Pad

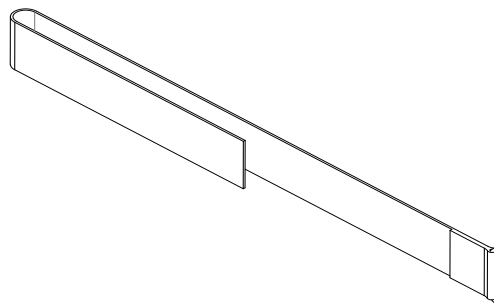
Back Height	Seat Width					
	13	14	15	16	17	18
10" - 11.75"	400021-13	400021-14	400021-15	400021-16	400021-17	400021-18
12" - 14.75"	400022-13	400022-14	400022-15	400022-16	400022-17	400022-18
15" - 17"	400023-13	400023-14	400023-15	400023-16	400023-17	400023-18

**Back Support Straps**



1" Back Support Straps

Seat Width	13	CP101517-Z
	14	CP101518-Z
	15	CP101518-Z
	16	CP101519-Z
	17	CP101519-Z
	18	CP101520-Z

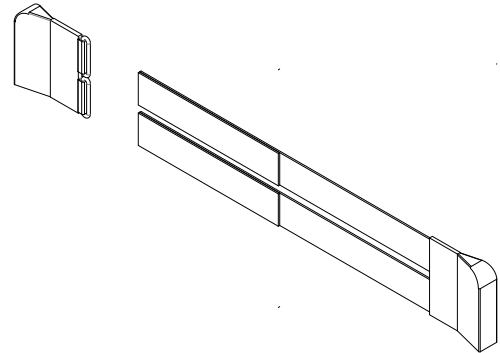
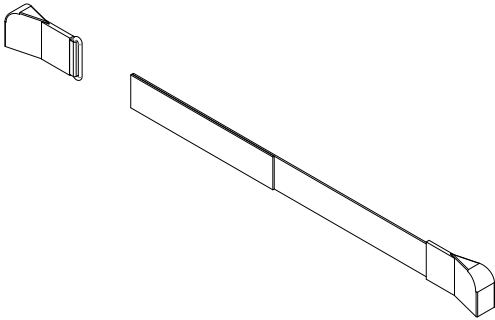


2" Back Support Straps

Seat Width	13	CP100492-Z
	14	CP100494-Z
	15	CP100494-Z
	16	CP100496-Z
	17	CP100496-Z
	18	CP100498-Z

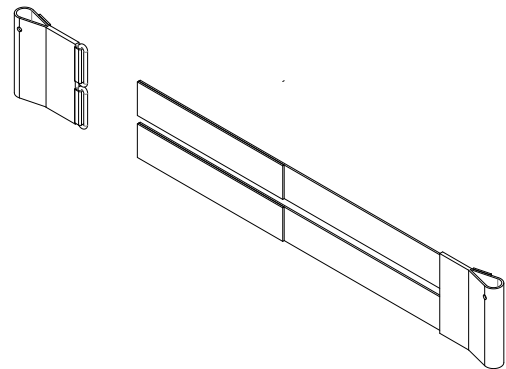
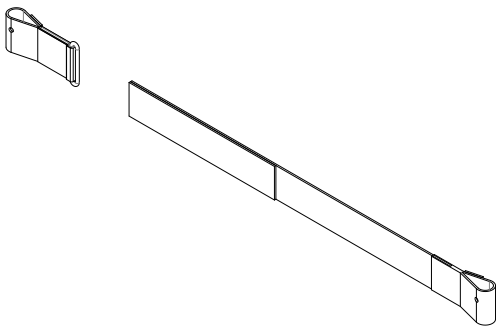
**Upholstery, continued**

**Back Support Ears**



	Seat Width		
	13" - 14"	15" - 16"	17" - 18"
Ears for No Push Handles, Short, Right	400036-1314	400036-1516	400036-1718
Ears for No Push Handles, Short, Left	400037		

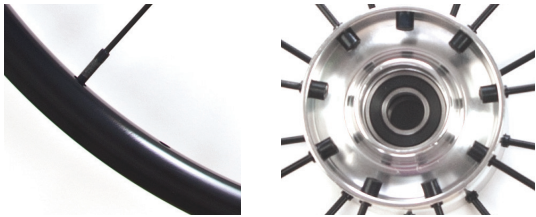
	Seat Width		
	13" - 14"	15" - 16"	17" - 18"
Ears for No Push Handles, Tall, Right	400039-1314	400039-1516	400039-1718
Ears for No Push Handles, Tall, Left	400038		



	Seat Width		
	13" - 14"	15" - 16"	17" - 18"
Ears for Push Handles, Short, Right	400029-1314	400029-1516	400029-1718
Ears for Push Handles, Short, Left	400028		

	Seat Width		
	13" - 14"	15" - 16"	17" - 18"
Ears for Push Handles, Tall, Right	400031-1314	400031-1516	400031-1718
Ears for Push Handles, Tall, Left	400030		

## Rear Wheels



CP100922	24" (504) Spinerger SPOX
CP101010	25" (559) Spinerger SPOX

CP107853	24" (504) Spinerger Carbon Blades
CP107855	25" (559) Spinerger Carbon Blades



204887	24" (504) MBL Speedlite Tire
204888	25" (559) MBL Speedlite Tire

CP103440	24" (504) Schwalbe Marathon Plus
CP103441	25" (559) Schwalbe Marathon Plus

205518	24" (504) MBL Gazelle Slick
205519	25" (559) MBL Gazelle Slick



CP101035	QR Axles (stainless steel) for SPOX
CP102619	QR Axles (stainless steel) for Carbon Blade
CP107397	QR Axles (titanium)
800956	QR Axles (Quad Release)

CP103882	24" (504) Rim Strip
CP103883	25" (559) Rim Strip

CP102431	24" (504) x 1" Inner tube, Schrader Valve
CP102432	25" (559) x 1" Inner tube, Schrader Valve

**Rear Wheels, continued**

**Handrims**



205638-CK20	24" (504) Spinerge Alum Handrim, Red	205639-CK20	25" (559) Spinerge Alum Handrim, Red
205638-CK21	24" (504) Spinerge Alum Handrim, Blue	205639-CK20	25" (559) Spinerge Alum Handrim, Blue
205638-CK22	24" (504) Spinerge Alum Handrim, Purple	205639-CK22	25" (559) Spinerge Alum Handrim, Purple
205638-CK23	24" (504) Spinerge Alum Handrim, Orange	205639-CK23	25" (559) Spinerge Alum Handrim, Orange
205638-CK24	24" (504) Spinerge Alum Handrim, Green	205639-CK24	25" (559) Spinerge Alum Handrim, Green
205638-CK25	24" (504) Spinerge Alum Handrim, Gold	205639-CK25	25" (559) Spinerge Alum Handrim, Gold
205638-CK26	24" (504) Spinerge Alum Handrim, Charcoal Grey	205639-CK26	25" (559) Spinerge Alum Handrim, Charcoal Grey

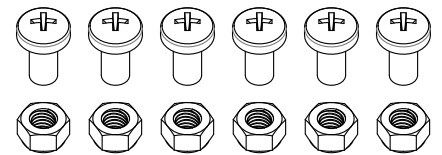
CP100446	24" (504) Titanium - Satin Handrim
CP100447	25" (559) Titanium - Satin Handrim



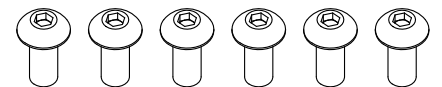
3R501246	24" (504) Q-Grip Handrim
3R405256	25" (559) Q-Grip Handrim

3R2401	24" (504) Natural Fit LT Thumb Grip
3R2501	25" (559) Natural Fit LT Thumb Grip

3R2403	24" (504) Natural fit Super Grip
3R2503	25" (559) Natural fit Super Grip



804861 Handrim Hardware kit for SPOX (Two required per wheelchair)



804860 Handrim Hardware kit for Carbon Blades (Two required per wheelchair)

CP100131	24" (504) Aluminum Handrim - Black
CP100133	25" (559) Aluminum Handrim - Black

3R24T1S	24" (504) Natural Fit LT Handrim
3R25T1S	25" (559) Natural Fit LT Handrim



**Accessories**

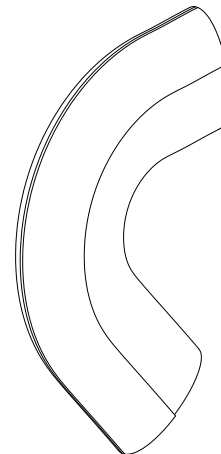


CP100905 Positioning Belt, Velcro Adjustable, Black Webbing



CP103177 BodyPoint Velcro Adjustable Calf Strap, Medium

CP103178 BodyPoint Velcro Adjustable Calf Strap, Large



205645 CR Black Neoprene Impact Guards  
(Two required per wheelchair)



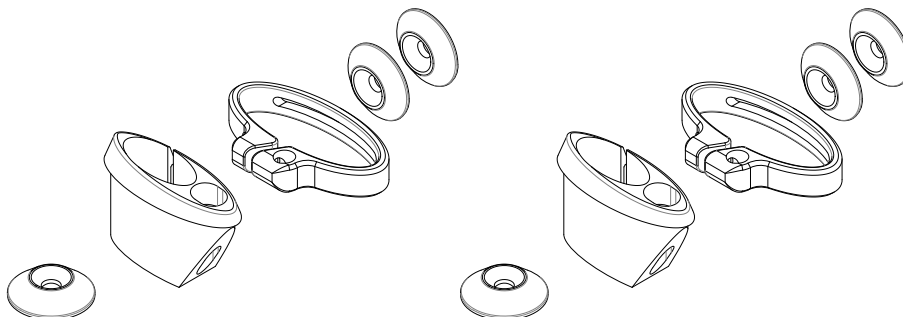
203063 Permobil Backpack



203062 Permobil Seat Pouch



204018 Bodypoint Mobility Bag



804807-CK20	Color Anodize Package, Red
804807-CK21	Color Anodize Package, Blue
804807-CK22	Color Anodize Package, Purple
804807-CK23	Color Anodize Package, Orange
804807-CK24	Color Anodize Package, Green
804807-CK25	Color Anodize Package, Gold
804807-CK26	Color Anodize Package, Charcoal Grey





# permobil

TiSport, LLC  
2701 W. Court St.  
Pasco, WA 99301

[permobil.com](http://permobil.com)