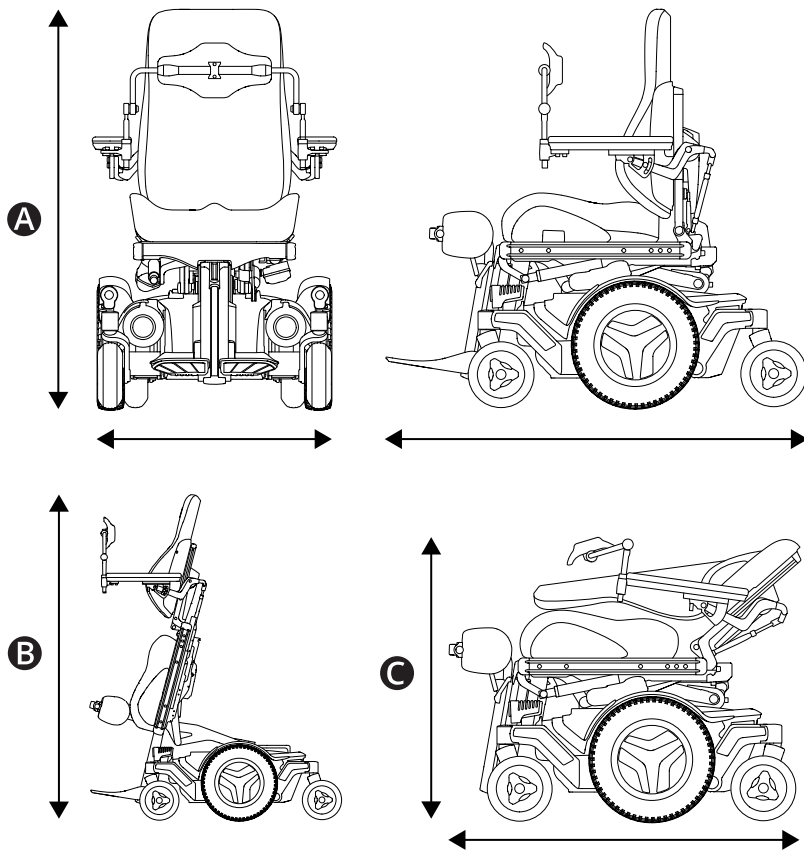


2.1 Wheelchair specification



Product name: **M Corpus VS**

Model version: **1**

Wheelchair class: **B**

A Sitting position

Height: 835–1810 mm (33"–71")

Width: 650–790 mm (25.5"–31")

Length: 1220 mm (48")

B Standing position

Height: 1810 mm (71")

Width: 790 mm (31")

Length: 1220 mm (48")

C Smallest transportation size

Height: 835 mm (33")

Width: 650–790 mm (25.5"–31")

Length: 825 mm (32.5")

Weight specification

Wheelchair with batteries: 201 kg (443 lb.)

Maximum user weight: 120 kg (265 lb.)

The maximum user weight can vary depending on the wheelchair configuration.