

Date	Order	User name	Address
------------	-------------	-----------------	---------------


Permobil Limited Unit 7, Polaris Centre, 41 Brownfields, Welwyn Garden City, Herts, AL7 1AN United Kingdom - Phone: +44 1484 722888


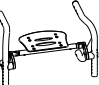
Casters			
☆ 5" Soft			
<input type="checkbox"/>	4" Soft		
<input type="checkbox"/>	3" Sport		
<input type="checkbox"/>	6" Soft		
<input type="checkbox"/>	6" Pneumatic		
<input type="radio"/>	3" Active Soft (wide)	(Aluminium alloy rim)	06824 71,00
<input type="radio"/>	4" Active Sport (narrow)	(Aluminium alloy rim)	01398 71,00
<input type="radio"/>	4" Active Soft (wide)	(Aluminium alloy rim)	03943 71,00
<input type="radio"/>	5" Active Soft (wide)	(Aluminium alloy rim)	07518 71,00
<input type="radio"/>	5" Pneumatic		10844 35,00

Rear wheels			
☆ 24" Ultra-light Progeo - Standard!			
<input type="checkbox"/>	22" Ultra-light Progeo - Standard!		
<input type="radio"/>	24" ULTRA-LIGHT PROGEO KEY SPORT	Weight reduction approx. 450gr.	04383 496,00
<input type="radio"/>	24" Ultra-light "Spinergy LX"		01685 496,00
<input type="radio"/>	24" Ultra-light "Spinergy LXL"	<input type="checkbox"/> Hub and spokes black <input type="checkbox"/> Black hub and white spokes	07846 496,00
<input type="radio"/>	24" Ultra-light "Spinergy Flex rim"	Integrated aluminium/rubber handrim	02270 778,00
<input type="radio"/>	24" Off-road (aluminium handrim black)		01392 127,00
<input type="radio"/>	22" with brake handles for companion (drum brake) (aluminium handrim)		03385 204,00
Available only with camber 0°			
Not available with Frame Dynamic 2.0°			
<input type="radio"/>	24" with brake handles for companion (drum brake) (aluminium handrim)		03384 204,00
Available only with camber 0			
Not available with Frame Dynamic 2.0			
<input type="radio"/>	One arm drive - (24" rear wheels Aluminium handrim High pressure Tyre) - camber 0°		02103 227,00
<input type="radio"/> Right <input type="radio"/> Left			

Rear wheel tyre			
<input checked="" type="checkbox"/>	High pressure tyre	(22"-24")	
<input type="checkbox"/>	High pressure profile tyre	(24")	
<input type="radio"/>	Marathon Plus	(24")	with anti-puncture protection
<input type="radio"/>	Anti-puncture - Colour Black	(24")	01669 35,00
<input type="radio"/>	Anti-puncture - Colour Grey	(24")	11083 71,00
<input type="radio"/>	Anti-puncture - Colour Grey	(22")	11083 71,00
<input type="radio"/>	Anti-puncture - Colour Grey	(22")	04181

Handrim			
		Wheel distance ☆ 3 cm <input type="checkbox"/> 4 cm	
<input checked="" type="radio"/>	Aluminium	(22"-24")	
<input type="radio"/>	Aluminium black SOFT-TOUCH	(24")	09170 71,00
<input type="radio"/>	Chromed Steel	(24")	01684 84,00
<input type="radio"/>	Titanium	(24")	00016 155,00
<input type="radio"/>	Ultra Grepp	(24")	00017 178,00
<input type="radio"/>	Max Grepp	(24")	00834 197,00
<input type="radio"/>	Ergo Para	(24")	00632 197,00
<input type="radio"/>	TOP FRICTION	(24")	11023 226,00
Oval countour with a rubber insert			
<input type="radio"/>	NOVA H	(24")	11025 149,00
Ergonomic black profile			
<input type="radio"/>	NOVA D	(24")	11026 162,00
Ergonomic profile with rubber coating (ideal for quadriplegics)			
<input type="radio"/>	Quad	(24")	00693 113,00
<input type="radio"/>	Silicon cover for standard aluminium handrim	Available for measures (22"-24")	04050 91,00

Wheel locks			
<input checked="" type="checkbox"/>	Bent lever push to lock		
<input type="checkbox"/>	Straight lever push to lock		
<input type="checkbox"/>	Straight lever pull to lock		
<input type="radio"/>	Sport brake		06428 71,00
<input type="radio"/>	Brake with extension lever push to lock		01949 35,00
<input type="radio"/>	Brake with extension lever pull to lock		03372 35,00

Footplate - See reference tables N°3			
<input checked="" type="checkbox"/>	Plastic footrest with multifunction rotative system (Minimum footplate distance 14cm.)		11525 no list
<input type="radio"/>	One piece aluminium footplate - Flip-up! with multifunction rotative system (Minimum footplate distance 14cm.)		11528 no list

customer_support_uk@permobil.com - https://www.permobil.com/en-gb

Date	Order	User name	Address
------------	-------------	-----------------	---------------

Permobil Limited Unit 7, Polaris Centre, 41 Brownfields, Welwyn Garden City, Herts, AL7 1AN United Kingdom - Phone: +44 1484 722888

PHYSIO - Std. Backrest upholstery not provided

Removable with quick release
 Suitable for tubes with diameter 18÷26mm
 Depth adjustment (4cm)
 Angle adjustment (±18°)

Posture backrest KID JUNIOR VERSION

- KID** Aluminum shell

WARNING: with this backrest the seat depth is reduced by 5 cm approx.

BACKREST HEIGHT	29	34	40	
Shell's shape 	Lateral retaining wing B=regular			
	R	R	R	R
	<input type="checkbox"/>	<input type="checkbox"/>	<input type="checkbox"/>	<input type="checkbox"/>

574,00

Posture backrest ADULT VERSION

- AIR** Carbon shell
not available for seat width 27 - 30

BACKREST HEIGHT	28	34	40			
Shell's shape 	Lateral retaining wing A=high - R=regular					
	A	R	A	R	A	R
	<input type="checkbox"/>	<input type="checkbox"/>	<input type="checkbox"/>	<input type="checkbox"/>	<input type="checkbox"/>	<input type="checkbox"/>

593,00

- POSTURE** Aluminum shell
not available for seat width 27 - 30

BACKREST HEIGHT	34	40	52	
Shell's shape 	Lateral retaining wing B=regular			
	R	R	R	R
	<input type="checkbox"/>	<input type="checkbox"/>	<input type="checkbox"/>	<input type="checkbox"/>

574,00

Configuration DEEP with side support PAD (height adjustable)

- Aluminum lateral with padded, breathable upholstery.



	Small (h 13cm) 		Large (h 20cm)
	<input type="checkbox"/> Right 10272	16,00	<input type="checkbox"/> Right 10273
	<input type="checkbox"/> Left 10272	16,00	<input type="checkbox"/> Left 10273
			23,00

customer_support_uk@permobil.com - https://www.permobil.com/en-gb

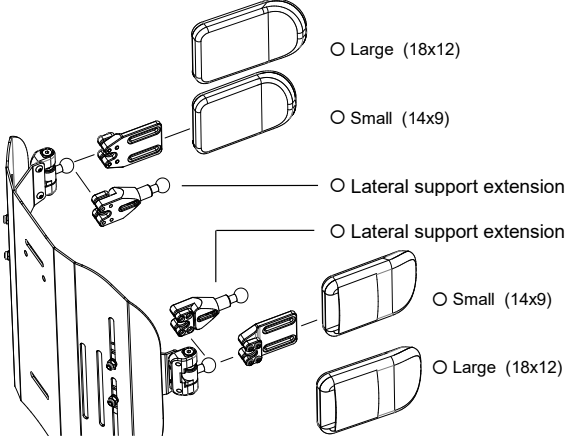
Permobil Limited Unit 7, Polaris Centre, 41 Brownfields, Welwyn Garden City, Herts, AL7 1AN United Kingdom - Phone: +44 1484 722888

Date	Order	User name	Address
------------	-------------	-----------------	---------------

Accessories

KID AIR POSTURE

SWING AWAY - Lateral support
 Not available for backrest Physio AIR carbon shell
 Fixing and adjustment hardware complete with protection sleeve
 Alluminum lateral with padded, breathable upholstery.



Large (18x12) 05647 **104,00**

Small (14x9) 05643 **104,00**

Lateral support extension Quantity (number pcs).....
10271 **39,00**

Lateral support extension Quantity (number pcs).....

Small (14x9) 05642 **104,00**

Large (18x12) 05646 **104,00**




Headrest adjustable - Double ball mounting system Large (34x14) **05648 143,00**
 Not available for backrest Physio AIR carbon shell Small (28x14)



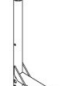
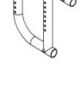

customer_support_uk@permobil.com - https://www.permobil.com/en-gb

Wheelchair : Progeo EXELLE JUNIOR - Rev. 2022.4	Prices - VAT excluded <small>to be added to the price list</small>	<table border="1" style="width: 100%; border-collapse: collapse;"> <tr> <th colspan="2" style="text-align: left; padding: 2px;">Send this page only if any optional have been chosen</th> </tr> <tr> <td style="padding: 2px;"><input checked="" type="checkbox"/> standard</td> <td style="padding: 2px;"><small>(supplied if no requests are indicated)</small></td> </tr> <tr> <td style="padding: 2px;"><input type="checkbox"/> on request</td> <td style="padding: 2px;"><small>(without extra charge)</small></td> </tr> <tr> <td style="padding: 2px;"><input type="radio"/> optional</td> <td style="padding: 2px;"><small>(cost to be added at the basic price)</small></td> </tr> </table>	Send this page only if any optional have been chosen		<input checked="" type="checkbox"/> standard	<small>(supplied if no requests are indicated)</small>	<input type="checkbox"/> on request	<small>(without extra charge)</small>	<input type="radio"/> optional	<small>(cost to be added at the basic price)</small>
Send this page only if any optional have been chosen										
<input checked="" type="checkbox"/> standard	<small>(supplied if no requests are indicated)</small>									
<input type="checkbox"/> on request	<small>(without extra charge)</small>									
<input type="radio"/> optional	<small>(cost to be added at the basic price)</small>									

REFERENCE TABLES

1 Front height					
With closed frame (100°) max 5" caster					
FORK	Casters				
	3"	4"	5"	6"	7"
SMALL 	min. 36 max 51	min. 37 max 52	min. 38 max 53		
MEDIUM 	min. 40 max 55	min. 41 max 56	min. 42 max 57	min. 43 max 58	
LONG 	min. 44 max 59	min. 45 max 60	min. 46 max 61	min. 47 max 62	

The size of the fork will be defined only by Progeo in accordance with wheelchair final configuration.

2 Rear height				
Rear frame	Rear wheels			
	22"	24"	25"	26"
STANDARD 	min. 37 max 45	min. 39 max 47		
	min. 36 max 49	min. 38 max 51		
DYNAMIC 2.0 	min. 36 max 49	min. 38 max 51		

3 Footplate option		Footplate distance	
Plastic footrest		min. 14	max 40
One piece aluminium footplate - Flip-up!		min. 14	max 40
Calculated with the best configuration and with the footplates positioned on inside. IMPORTANT NOTICE! From the footplate to the floor minimum 4cm.!! (Minimum Front height = DP + 4cm.)			

4 Rear wheels		
Model	Features	Handrim and tyre
22" Ultra-light Progeo - Standard!	(not available in anthracite color)	(aluminium handrim and high pressure tyre)
24" Ultra-light Progeo - Standard!	(available for all colors)	(all handrim and tyre)
24" ULTRA-LIGHT PROGEO KEY SPORT	(silver hub, black rim and 16 spokes)	(all handrim and tyre)
24" Ultra-light "Spinergy LX"	(silver hub, black rim and spokes)	(all handrim and tyre)
24" Ultra-light "Spinergy LXL"	(black hub and rim, 18 white spokes)	(all handrim and tyre)
24" Ultra-light "Spinergy Flex rim"	(silver hub, black rim and spokes)	(integrated aluminium/rubber handrim - encumbrance reduction up to 3cm. - all tyre)
24" Off-road	(colour: black)	(aluminium handrim - tyre Off-road)