

permobil

Et utvalg av artikler med bilder
til M og F stolene.

PERMOBIL.NO
Tlf 67 07 04 00



Innholdsfortegnelse

Sete:	Side	Setetilbehør:	Side
Seteramme Corpus og Corpus VS	5	Permobil original sidestøtter	32
Setedybde og setebredde	6	Bodilink sidestøtter	33
Lårstøtter under setepute	7	Permobil lårstøtter	34
Setepute Permobil artikkelnr	8	Bodilink lårstøtter	35
Setepute Corpus komfort med Roho innlegg	9	Permobil original hoftestøtter	36
Inkontinenstrekk- hygienetrekk til setepute	10	Bodilink hoftestøtter	37
Ryggskall	11	Leggstøtter	38
Ryggpute artikkelnr.	12	Arm- og albuestøtter	39
Armlene fester fast og utsvingbar	13	GEL fotplatepolster	40
Standard armlenepads	14	Ulike typer puter til amputasjon, lår- og leggstøtter	41
Støpte spesial armlenepads	15	Ampustasjonstøtte	42
Ryggstøtter til standard ryggputer	16	Ulike typer hodestøtter med tilbehør	43-48
Agility rygger	17	Armlene- og setemonterte vesker	49
Armlene kit smal og bred	18	Bagasjeboks, kroker til veske/belte og bagasjeboks	50-51
Bryststøtte til Corpus VS	19	Permobil posisjoneringsbelter	52
Beinstøtter til Corpus VS	20	Bodypoint posisjoneringsbelter og vester	53
Knestøtte	21	Abduksjonskloss til Corpus 3G (Ikke CII og barnestoler)54	54
Knestøtteholder	22	Ryggstøttekile / skuldersupport	55
Beinstøtter til Corpus	23	Støtte- , forflytningshåndtak og håndtak rygg	56-58
Fotplater til Corpus mekanisk lengde komp.	24	Ulike typer bord	59-64
Fotplate til Corpus elektrisk lengde komp.	25-26	Fotfiksering og ankelmansjetter	65
Beinstøtte motorer	27	Oppblåsbar korsryggstøtte	66
Ryggregulerings motorer	28	Krykkehoder og oksygenflaske holder	67
Ryggmekanisme med og uten glidefuksjon	29	Nettbrett-,mobil- og koppholder	68
Ryggstøtteadaptore	30	Hodestyringsalternativer utsvingbare til hodestøtte	69

Innholdsfortegnelse fortsettelse

Chassis:	Side
ESP («Gyro»)	71
Deksler til F-serien før 2019, M-serien før okt 2020	72
Fargealt. F serien før 2019, M-serien før okt 2020	73-74
Deksler til F serien etter 2019	75
Dekk, hjul, svinghjulsskjerm til F/ M serien	76- 79

Tilbehør Chassis:

Tippehjul F3/ F5 og stroppefeste braketter	81
Støttehjul kit for F5 VS	82
Lys kit for F serien for stoler før 2019	83
Lys kit for F serien for stoler etter 2019	84
Bagasjeboks gammel modell	85
Fjernstyrt nødstop for R-Net elektronikk	86
Chassis forberedt for Dahl bilfeste	87

Kjøring (joystick, elektronikk etc):

Ulike typer joysticker, styrebokser	89
Festebraketter til joysticker 118-122	90
Bryterpanel og fester	91
Ulike typer ekstra ladepunkter	92
R-Net låsenøkkel	93
Ulike typer joystick pinner/håndtak R-Net	94

Ledsagerstyringer:	Side
Ledsagerstyringer og joysticker til disse	96-97
Nødstop ledagerstyring	98

Supplerende tilbehør:

Compact og mini joysticker	100
Bluetooth modul	101
Ulike ekstra bryter	102
USB lader, alternativ bryterpanel, remote button interface	103
Bryststøtte bord, panelholder/brakett for ledsagerjoystick	104

Alternative styremåter / omgivelseskontroll MDT:

MagicDrive Touch (MDT) kjøre og omgivelseskontroll	106-107
MDT tilbehør (fester, brytere, joysticker , ladere etc)	108-115

Alternative styremåter / omgivelseskontroll OMNI:

Omni skjermer og kabler	117
Omni tilbehør (Joystick, fester, brytere etc)	

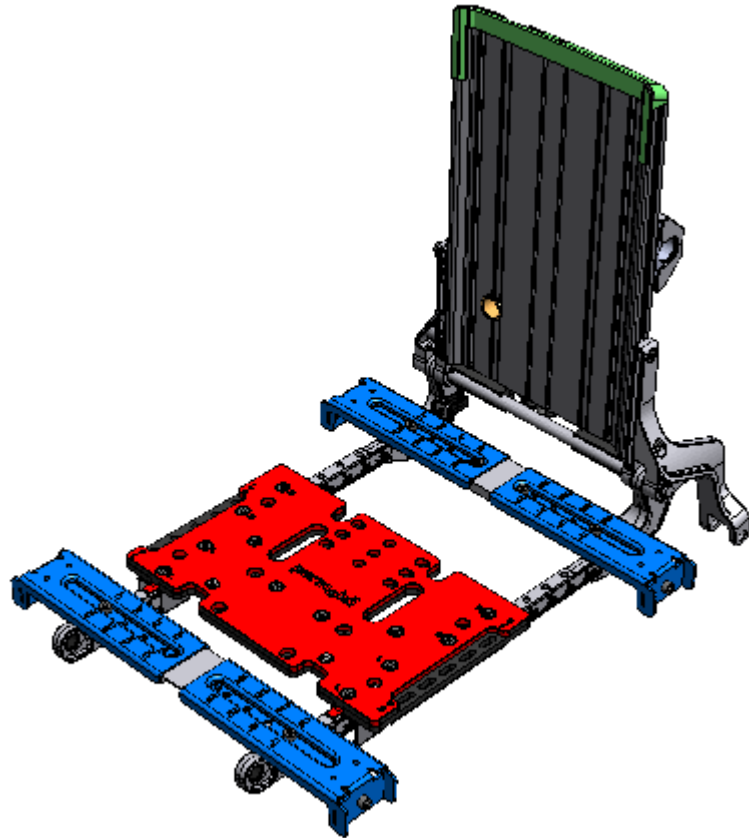
Setemontering:

Setemonteringsdeler Corpus (fiksert høyde, kun tilt, tilt og løft)	124
Setemonteringsdel Corpus anterior tilt til -5 grader	125
Setemonteringsdel Corpus anterior tilt opp til -45 grader	126
Setemonteringsdel Corpus til VS stolen	127

Seat

Seat frame Corpus and Corpus VS

- One size fits all

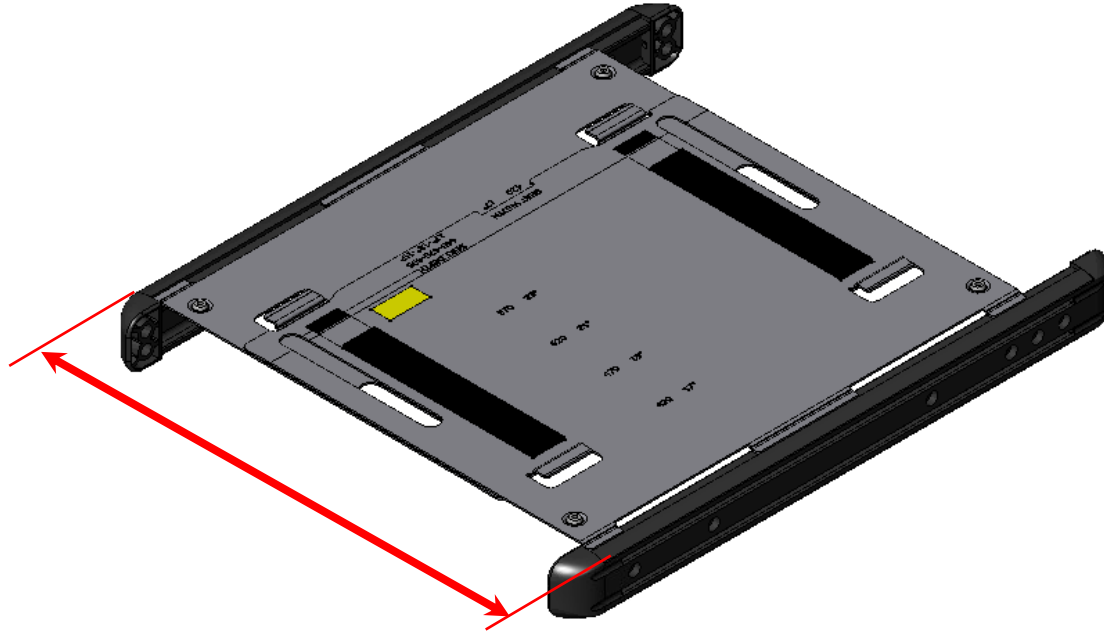


After Market	Description
n/a	SEAT FRAME CORPUS
n/a	SEAT FRAME CORPUS VS

Note:
Corpus VS seat as different backrest joint and mechanical parts to keep armrests horizontal while standing.

Seat depth / Seat width

- 3 sets to cover full range
 - 2 Unitrack rails and 2 seat plates)



	After Market	Description
	1828883	SEAT DEPTH 370mm (14")
	1828883	SEAT DEPTH 395mm (15")
	1828883	SEAT DEPTH 420mm (16")
	1828884	SEAT DEPTH 445mm (17")
	1828884	SEAT DEPTH 470mm (18")
	1828884	SEAT DEPTH 495mm (19")
	1828885	SEAT DEPTH 520mm (20")
	1828885	SEAT DEPTH 545mm (21")
	1828885	SEAT DEPTH 570mm (22")

Adjustment seat width

	After Market	Description
	n/a	SEAT WIDTH 420 (17")
	n/a	SEAT WIDTH 470 (19")
	n/a	SEAT WIDTH 520 (21")
	n/a	SEAT WIDTH 570 (23")

Seat cushion “ergo” supports



After Market	Description
1825736	THIGH SUPPRT ERO L/R

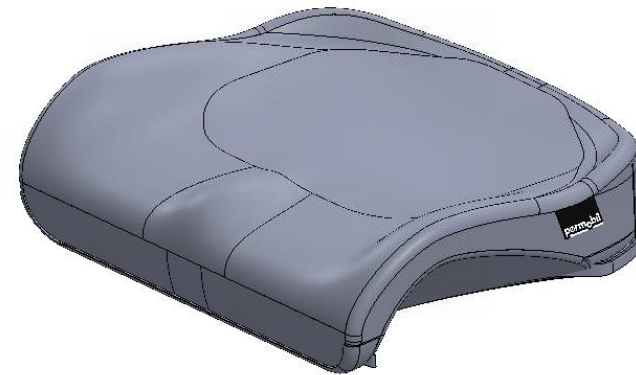
Seat cushion

Cushion size <> Seat size

	SEAT WIDTH 420 (17")	SEAT WIDTH 470 (19")	SEAT WIDTH 520 (21")	SEAT WIDTH 570 (23")
SEAT DEPTH 370mm (14")	420x370	470x370		
SEAT DEPTH 395mm (15")	420x370	470x370		
SEAT DEPTH 420mm (16")	420x420	470x420	520x420	
SEAT DEPTH 445mm (17")	420x420	470x420	520x420	
SEAT DEPTH 470mm (18")	420x470	470x470	520x470	570x470
SEAT DEPTH 495mm (19")	420x470	470x470	520x470	570x470
SEAT DEPTH 520mm (20")	420x520	470x520	520x520	570x520
SEAT DEPTH 545mm (21")	420x520	470x520	520x520	570x520
SEAT DEPTH 570mm (22")	420x570	470x570	520x570	570x570

Leatherette		Mesh		Strech air (new foam)		Leatherette (new foam)			
	After Market		After Market		After Market		After Market	Description	
	1832023		1832024		1835721		1835722	SEAT CUSHION 420x370mm (17"x15")	
	1828633		1828634		1835723		1835724	SEAT CUSHION 420x420 (17"x17")	
	1828635		1828636		1835725		1835726	SEAT CUSHION 420x470 (17"x19")	
	1828637		1828638		1835727		1835728	SEAT CUSHION 420x520 (17"x21")	
	1832025		1832026		1835729		1835730	SEAT CUSHION 420x570mm (17"x23")	
	1832027		1832028		1835731		1835732	SEAT CUSHION 470x370mm (19"x15")	
	1828639		1828640		1835733		1835734	SEAT CUSHION 470x420 (19"x17")	
	1828584		1828585		1835735		1835736	SEAT CUSHION 470x470mm (19"x19")	
	1828586		1828587		1835737		1835738	SEAT CUSHION 470x520mm (19"x21")	
	1828559		1828560		1835739		1835740	SEAT CUSHION 470x570mm (19"x23")	
	1828641		1828642		1835741		1835742	SEAT CUSHION 520x420 (21"x17")	
	1828588		1828589		1835743		1835744	SEAT CUSHION 520x470mm (21"x19")	
	1828590		1828591		1835745		1835746	SEAT CUSHION 520x520mm (21"x21")	
	1828563		1828564		1835747		1835748	SEAT CUSHION 520x570mm (21"x23")	
	1828568		1828569		1835749		1835750	SEAT CUSHION 570x470mm (23"x19")	
	1828570		1828571		1835751		1835752	SEAT CUSHION 570x520mm (23"x21")	
	1828572		1828573		1835753		1835754	SEAT CUSHION 570x570mm (23"x23")	

Seat cushion Ergo Air

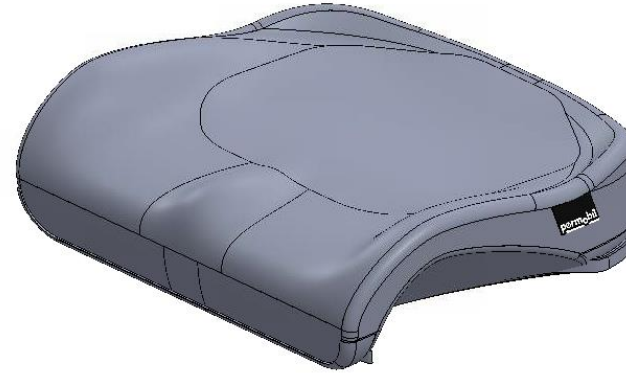


Foam + Roho insert + Upholstery

After Market	Description
1828921	SEAT CUSHION CORPUS ERGO AIR 420x470 (17"x19")
1828920	SEAT CUSHION CORPUS ERGO AIR 420x420 (17"x17")
1828922	SEAT CUSHION CORPUS ERGO AIR 420x520 (17"x21")
1828923	SEAT CUSHION CORPUS ERGO AIR 470x420 (19"x17")
1828924	SEAT CUSHION CORPUS ERGO AIR 470x470 (19"x19")
1828925	SEAT CUSHION CORPUS ERGO AIR 470x520 (19"x21")
1828927	SEAT CUSHION CORPUS ERGO AIR 520x470 (21"x19")
1828928	SEAT CUSHION CORPUS ERGO AIR 520x520 (21"x21")
1832021	SEAT CUSHION CORPUS ERGO AIR 420x570 (17"x23")
205277-99-0	USER MANUAL SEAT CUSHION CORPUS ERGO AIR

Incontinence protection

After Market	Description
1831204	INCONTINENCE PROTECTION 420x420 17"x17"
1831205	INCONTINENCE PROTECTION 420x470 17"x19"
1831206	INCONTINENCE PROTECTION 420x520 17"x21"
1831207	INCONTINENCE PROTECTION 470x420 19"x17"
1831208	INCONTINENCE PROTECTION 470x470 19"x19"
1831209	INCONTINENCE PROTECTION 470x520 19"x21"
1831210	INCONTINENCE PROTECTION 470x570 19"x23"
1831220	INCONTINENCE PROTECTION 520x420 21"x17"
1831221	INCONTINENCE PROTECTION 520x470 21"x19"
1831222	INCONTINENCE PROTECTION 520x520 21"x21"
1831223	INCONTINENCE PROTECTION 520x570 21"x23"
1831225	INCONTINENCE PROTECTION 570x470 23"x19"
1831226	INCONTINENCE PROTECTION 570x520 23"x21"
1831227	INCONTINENCE PROTECTION 570x570 23"x23"
1832056	INCONTINENCE PROTECTION 420x370 17"x15"
1832057	INCONTINENCE PROTECTION 420x570 17"x23"
1832058	INCONTINENCE PROTECTION 470x370 19"x15"



Backrest

Backrest shell

After Market	Description
1826374 + 1826130	BACKREST SHORT W 360 x H 470
1826376 + 1826130	BACKREST SHORT W 410 x H 470
1826378 + 1826130	BACKREST SHORT W 460 x H 470
1828742 + 1826130	BACKREST SHORT W 510 x H 470
1827159 + 1826130	BACKREST W 360 x H 545-670
1827160 + 1826130	BACKREST W 410 x H 545-670
1827162 + 1826130	BACKREST W 460 x H 545-670
1828741 + 1826130	BACKREST W 510 x H 545-670
1826130	LUMBAR SUPPORTS C3G

Backrest height adjustment

After Market	Description
n/a	BACKREST HEIGHT 545
n/a	BACKREST HEIGHT 570
n/a	BACKREST HEIGHT 595
n/a	BACKREST HEIGHT 620
n/a	BACKREST HEIGHT 645
n/a	BACKREST HEIGHT 670

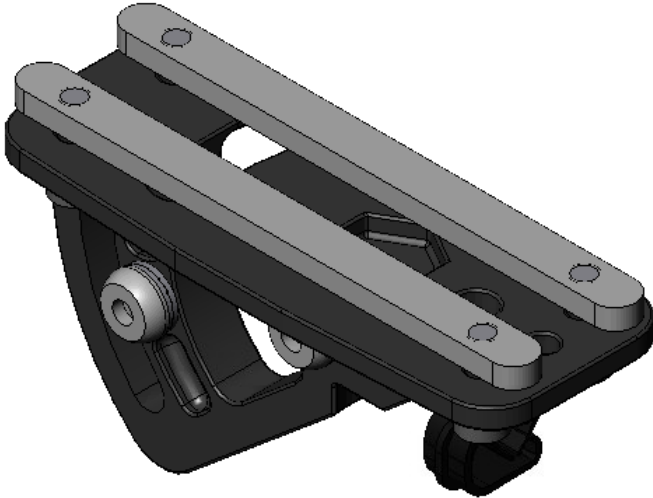


- **Note:**
Backrest height adjustment of 570mm or less requires the Permobil Original Headrest to allow a 180° backrest adjustment

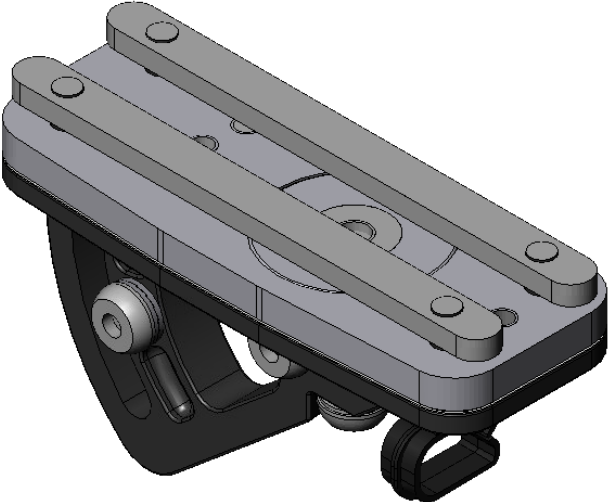
Back rest cushion

Leatherette		Mesh		Stretch Air (new foam)		Leatherette (new foam)		Description
	After Market		After Market		After Market		After Market	
	1826200		1826173		1835697		1835698	BACKREST CUSHION 360x480 (14"x19")
	1826167		1826176		1835699		1835700	BACKREST CUSHION 360x545-595 (14"x22-24")
	1826170		1826179		1835701		1835702	BACKREST CUSHION 360x620-670 (14"x25-27")
	1826165		1826174		1835703		1835704	BACKREST CUSHION 410x480 (16"x19")
	1826168		1826177		1835705		1835706	BACKREST CUSHION 410x545-595 (16"x22-24")
	1826171		1826180		1835707		1835708	BACKREST CUSHION 410x620-670 (16"x25-27")
	1826166		1826175		1835709		1835710	BACKREST CUSHION 460x480 (18"x19")
	1826169		1826178		1835711		1835712	BACKREST CUSHION 460x545-595 (18"x22-24")
	1826172		1826181		1835713		1835714	BACKREST CUSHION 460x620-670 (18"x25-27")
	1828727		1828726		1835715		1835716	BACKREST CUSHION 510x480 (20"x19")
	1828724		1828722		1835717		1835718	BACKREST CUSHION 510x545-595 (20"x22-24")
	1828725		1828723		1835719		1835720	BACKREST CUSHION 510x620-670 (20"x25-27")

Armrest holders



Fixed



Swivel

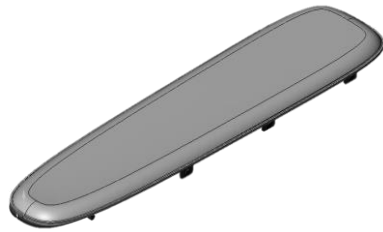
After Market Description	
2 x 1825593	ARMREST ASSEMBLY FIXED
2 x 1825594	ARMREST ASSEMBLY SWIVEL

- **Note:**
 - Swivel is not available on Corpus VS
 - Swivel is not compatible with armrest mounted tables

Armrest



Left		Right		
	After Market		After Market	Description
	1825604		1825604	ARMREST 260
	1825605		1825605	ARMREST 335
	1825606		1825606	ARMREST 410
	1828283		1828283	ARMREST 460
	N/A		N/A	WITHOUT ARMREST



Left		Right		
	After Market		After Market	Description
	1832277		1832277	ARMREST PAD GEL 260
	1832278		1832278	ARMREST PAD GEL 335
	1832279		1832279	ARMREST PAD GEL 410
	1832280		1832280	ARMREST PAD GEL 460
	1831403		1831403	ARMREST PAD FABRIC/TEXTILE 260
	1828841		1828841	ARMREST PAD FABRIC/TEXTILE 335
	1828340		1828340	ARMREST PAD FABRIC/TEXTILE 410
	1828341		1828341	ARMREST PAD FABRIC/TEXTILE 460
	1826191		1826191	ARMREST PAD PU/LEATHERETTE/SKAI 260
	1826192		1826192	ARMREST PAD PU/LEATHERETTE/SKAI 335
	1826193		1826193	ARMREST PAD PU/LEATHERETTE/SKAI 410
	1828386		1828386	ARMREST PAD PU/LEATHERETTE/SKAI 460

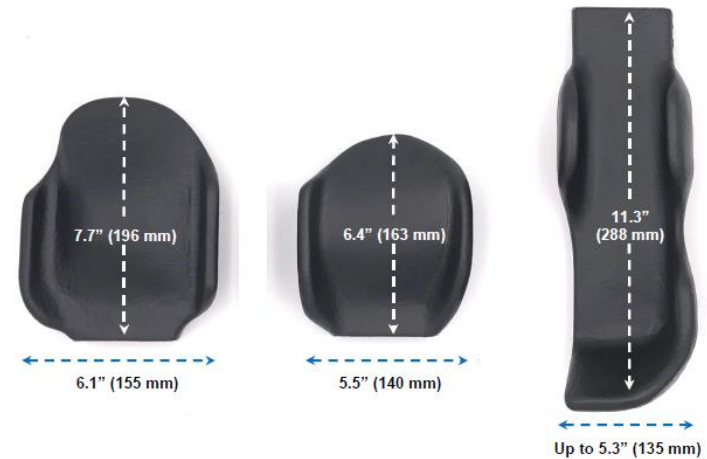
Trough armrests

After Market	Description
1836029	Arm Trough – Left
1836030	Arm Trough – Right
1836031	Hand Pad Medium – Left
1836032	Hand Pad Medium - Right
1836033	Hand Pad Large – Left
1836034	Hand Pad Large – Right
1836039	Arm Trough Adapter Plate*



■ **Note:**

	Compatible with	
	Arm Trough Only	Arm Trough & Hand Pad
Swing Away Joystick Mount ¹	Yes	Yes
Swing Away Omni/Tablet Mount	Yes	Yes
Midline Mounts	Yes	Yes
Small Table/Tray ²	Yes	Yes
Cup Holder	Yes	Yes
Phone Holder	Yes	Yes
USB Charger	Yes	Yes
Swing Away Joystick Mount - Short ^{3*}	Yes	No
"Slimline" Retractable Joystick Mount ⁴	Yes	No
Fixed Joystick Mount	Yes	No
Height Adjustable Joystick Mount ⁵	Yes	No
VS Chest Support	No	No
Armrest Pouch **	No	No
Tables/Trays (excluding Small Tray) **	No	No



* Offered on Corpus in some markets (not in BR AMR)

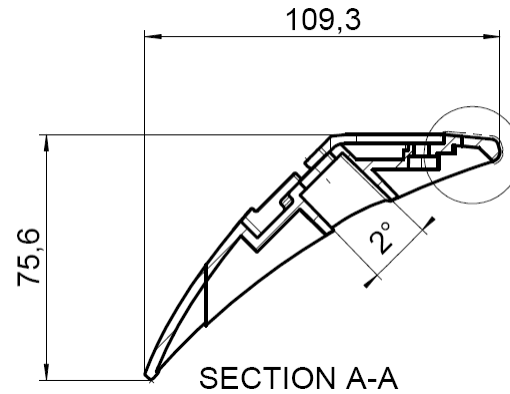
** Due to their poor or unpredictable fit, these items are not available with the arm troughs or hand pads; however, special adaptation can be used to enable

or ensure good fit on specific configurations

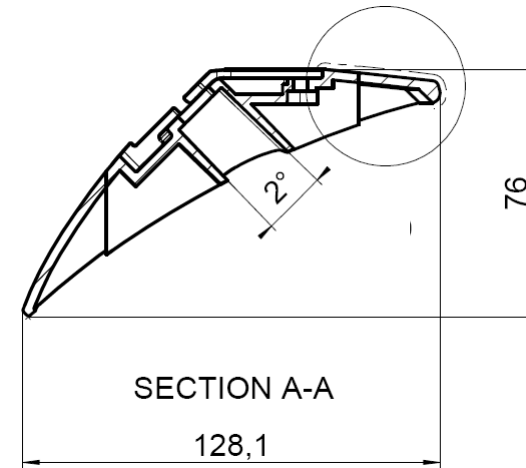
Trunk support “ergo”



Height adjustable / Not compatible with swing away lateral supports



Small



Large

After Market	Description
1826163	LATERAL SUPPORT SMALL (ERGO)
1826164	LATERAL SUPPORT LARGE (ERGO)

- **Note:**
Not compatible with additional lateral supports.
Ordered Lateral supports will be installed and the “ergo” trunk supports will be delivered with the chair (uninstalled)

Agility backrest

After Market	Description
AG6-1416AL-P	AGILITY Max Contour Direct Mount 1416, Air, Lumbar
AG6-1418AL-P	AGILITY Max Contour Direct Mount 1418, Air, Lumbar
AG6-1420AL-P	AGILITY Max Contour Direct Mount 1420, Air, Lumbar
AG6-1516AL-P	AGILITY Max Contour Direct Mount 1516, Air, Lumbar
AG6-1518AL-P	AGILITY Max Contour Direct Mount 1518, Air, Lumbar
AG6-1520AL-P	AGILITY Max Contour Direct Mount 1520, Air, Lumbar
AG6-1616AL-P	AGILITY Max Contour Direct Mount 1616, Air, Lumbar
AG6-1618AL-P	AGILITY Max Contour Direct Mount 1618, Air, Lumbar
AG6-1620AL-P	AGILITY Max Contour Direct Mount 1620, Air, Lumbar
AG6-1716AL-P	AGILITY Max Contour Direct Mount 1716, Air, Lumbar
AG6-1718AL-P	AGILITY Max Contour Direct Mount 1718, Air, Lumbar
AG6-1720AL-P	AGILITY Max Contour Direct Mount 1720, Air, Lumbar
AG6-1816AL-P	AGILITY Max Contour Direct Mount 1816, Air, Lumbar
AG6-1818AL-P	AGILITY Max Contour Direct Mount 1818, Air, Lumbar
AG6-1820AL-P	AGILITY Max Contour Direct Mount 1820, Air, Lumbar
AG6-1916AL-P	AGILITY Max Contour Direct Mount 1916, Air, Lumbar
AG6-1918AL-P	AGILITY Max Contour Direct Mount 1918, Air, Lumbar
AG6-1920AL-P	AGILITY Max Contour Direct Mount 1920, Air, Lumbar
AG6-2016AL-P	AGILITY Max Contour Direct Mount 2016, Air, Lumbar
AG6-2018AL-P	AGILITY Max Contour Direct Mount 2018, Air, Lumbar
AG6-2020AL-P	AGILITY Max Contour Direct Mount 2020, Air, Lumbar
	AGILITY lateral supports - LOW POSITION
	AGILITY lateral supports - HIGH POSITION`



108538-99-0



108537-99-0



Height (Corpus hinge to top of Backrest)	16" Tall AGILITY Direct Mount with Permobil Original Headrest	18" Tall AGILITY Direct Mount with Permobil Original Headrest	20" Tall AGILITY Direct Mount with Permobil Original Headrest
470mm	Customization required Backrest angle limited		
495mm	Customization required Backrest angle limited	Customization required Backrest angle limited	
520mm	180°	180°	Customization required Backrest angle limited
545mm	180°	180°	Customization required Backrest angle limited
570mm	180°	180°	180°
595mm	180°	180°	180°
620mm		180°	180°
645mm			180°

Armrest kit “narrow” or “wide”



Armrest kit “narrow”
Armrest adjustable 380 – 480 mm



Armrest kit “wide”
Armrest adjustable 480 – 580 mm

After Market	Description
N/A	ARMREST KIT NARROW (380 – 480)
N/A	ARMREST KIT WIDE (480 – 580)

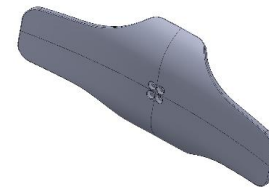
Chest support (Corpus VS only)

- Fixed or angle adjustable

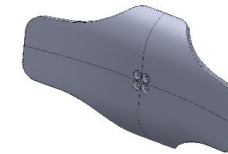


After Market	Description
1831192	HOLDER CHEST SUPPORT FIXED
1831413	HOLDER CHEST SUPPORT ADJUSTABLE

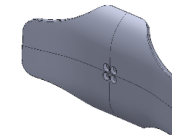
- Chest support pads
incl. upholstery



- Large: 360 wide



- Medium: 310 wide

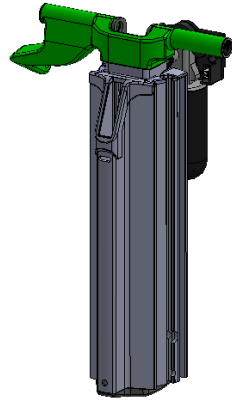


- Small: 260 wide

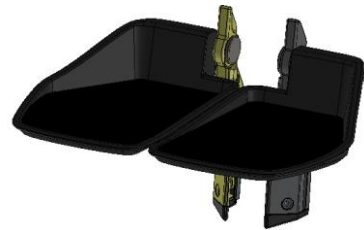
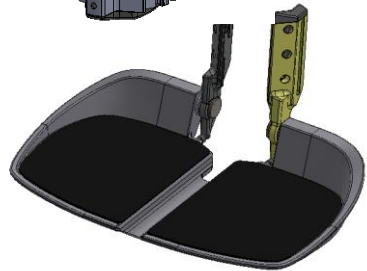
After Market	Description
1831250	CHEST SUPPORT PAD LARGE
1831249	CHEST SUPPORT PAD MEDIUM
1831248	CHEST SUPPORT PAD SMALL

Corpus VS leg rest

- Powered height adjustable / powered length compensation
- 16cm – 20cm – 1-piece foot plates (high / low mounted)



F5 Corpus VS	F/M Corpus	
After Market	After Market	Description
1831000	1831000	leg rest CORPUS VS (ARTICULATING leg rest)

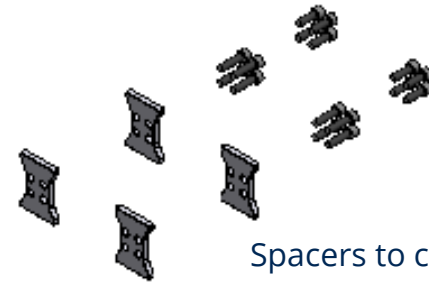
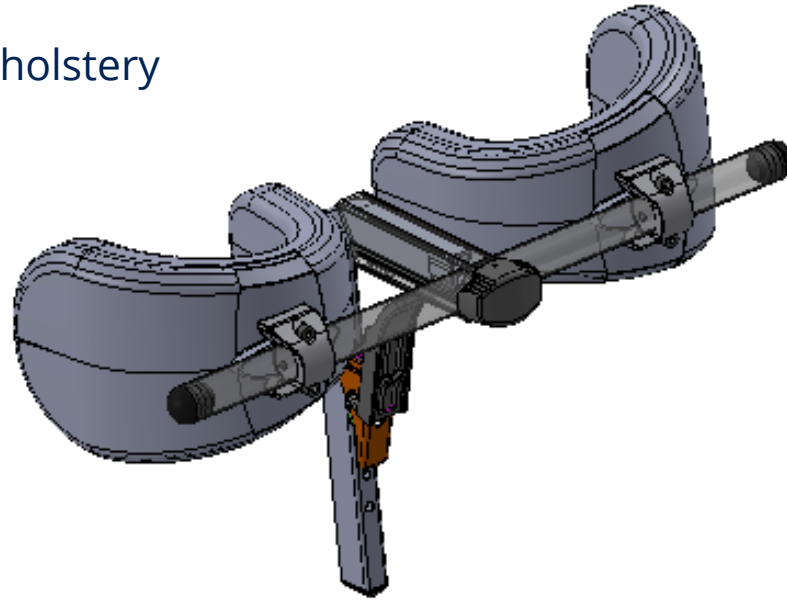


- **Note:**
Calf supports are not compatible with high mounted footplates (Leg length 135-255mm)

After Market	Description
n/a	FOOTPLATES NARROW (16CM) SHORT LEGS (135-255)
n/a	FOOTPLATES NARROW (16CM) LONG LEGS (255-475)
n/a	FOOTPLATE 1PIECE (42CM) SHORT LEGS (135-255)
n/a	FOOTPLATE 1PIECE (42CM) LONG LEGS (255-475)
n/a	FOOTPLATES WIDE (20CM) SHORT LEGS (135-255)
n/a	FOOTPLATES WIDE (20CM) LONG LEGS (255-475)

Knee support

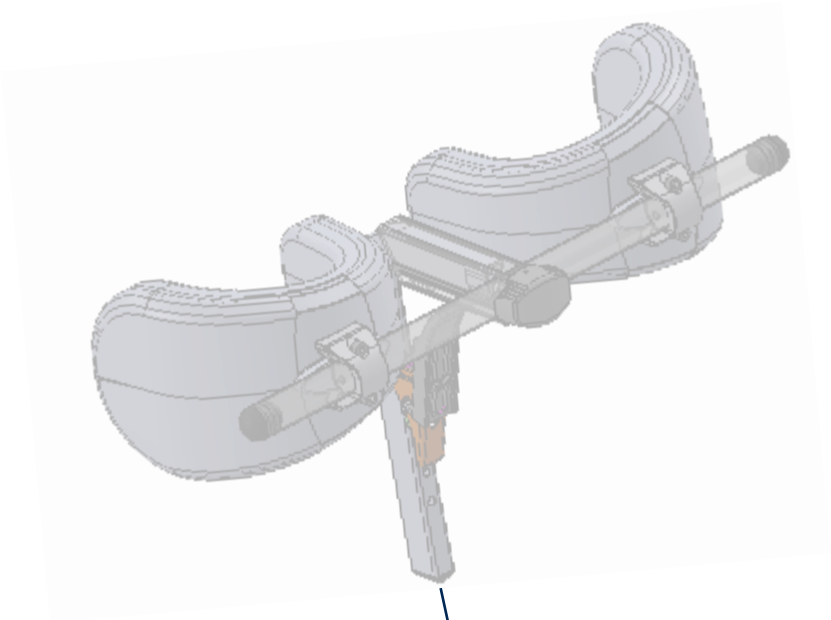
- Including upholstery



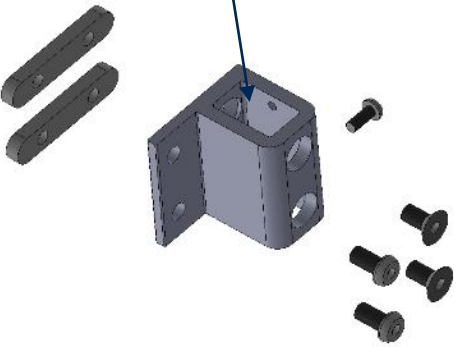
Spacers to create
difference between
L/R knee support
depth

After Market	Description
1831277	KNEE SUPPORT INCL UPHOLSTERY AND SPACERS

Accessories Seat



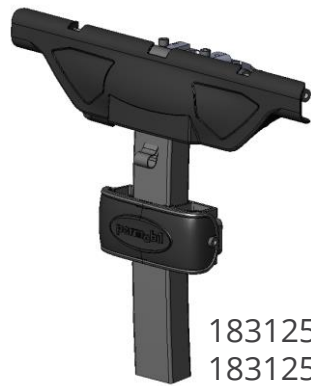
- Knee support holder



After Market	Description
1830880	KNEE SUPPORT HOLDER

Leg rests Corpus

- Standard center mounted with mechanical length compensation of 185 / 205 mm
- Center mounted leg rest with mechanical length compensation and additional 100 mm power adjustable footplate height
- Center mounted "Corpus VS"-leg rest with 200mm powered length compensation / footplate height adjustment



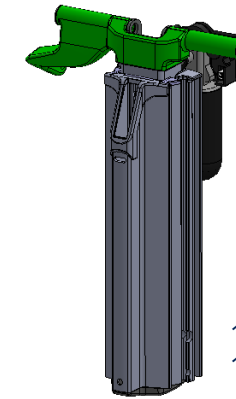
1831258
1831259



1831261
1831260



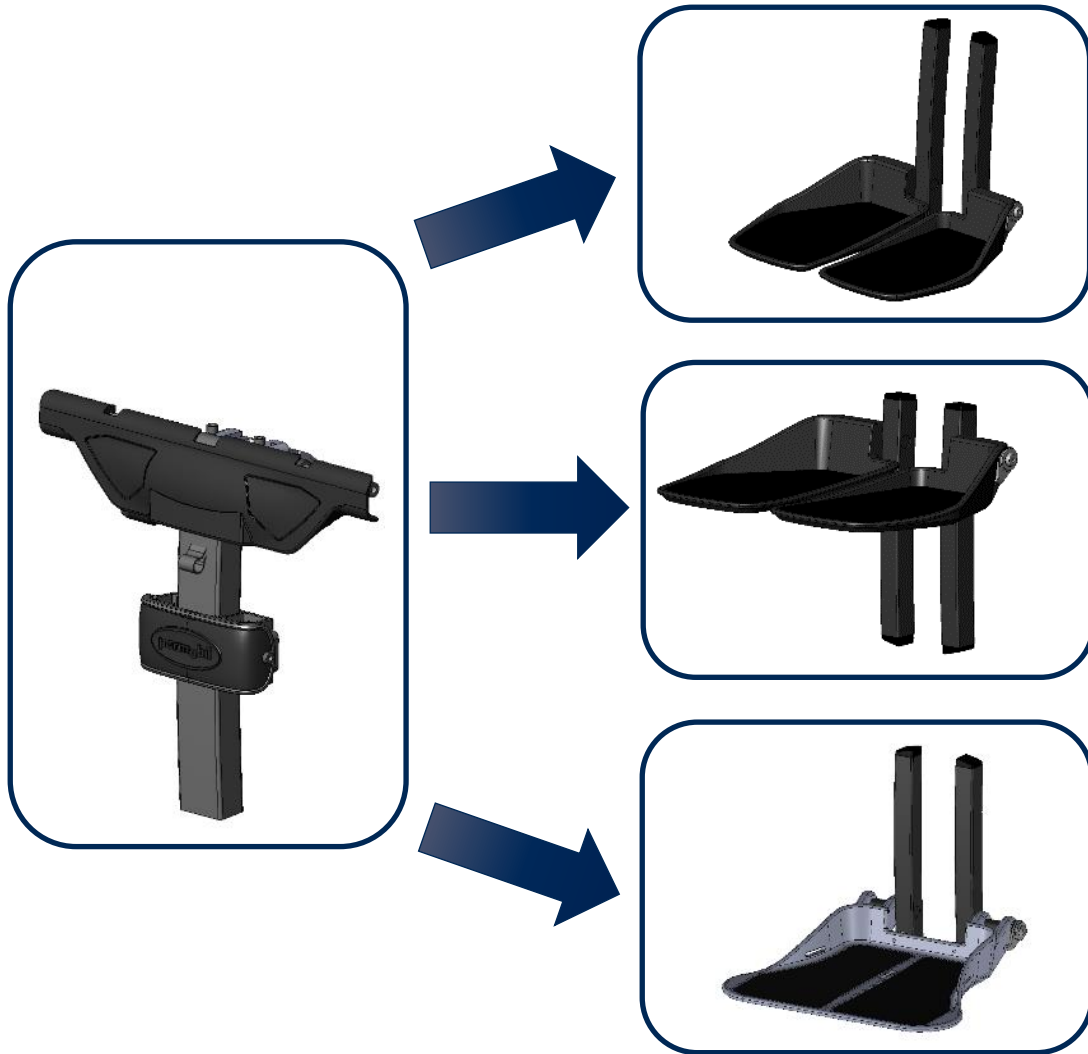
1829076



1831093
1831000

F/M Corpus	
	After Market
	Description
1831258	LEG REST STANDARD MECH LENGTH COMPENSATION 205MM
1831259	LEG REST STANDARD MECH LENGTH COMPENSATION 185MM
1831261	LEG REST WITH MECH LENGTH COMP. + POWER ADJ. 100MM SHORT
1831260	LEG REST WITH MECH LENGTH COMP. + POWER ADJ. 100MM LONG
1829076	WITHOUT LEG REST- DEKSEL
1831000	LEG REST CORPUS VS (ARTICULATING LEG REST) 200MM POWERED LENGTH COMPENSATION

Foot plates Corpus (leg rest std with mechanical length compensation)



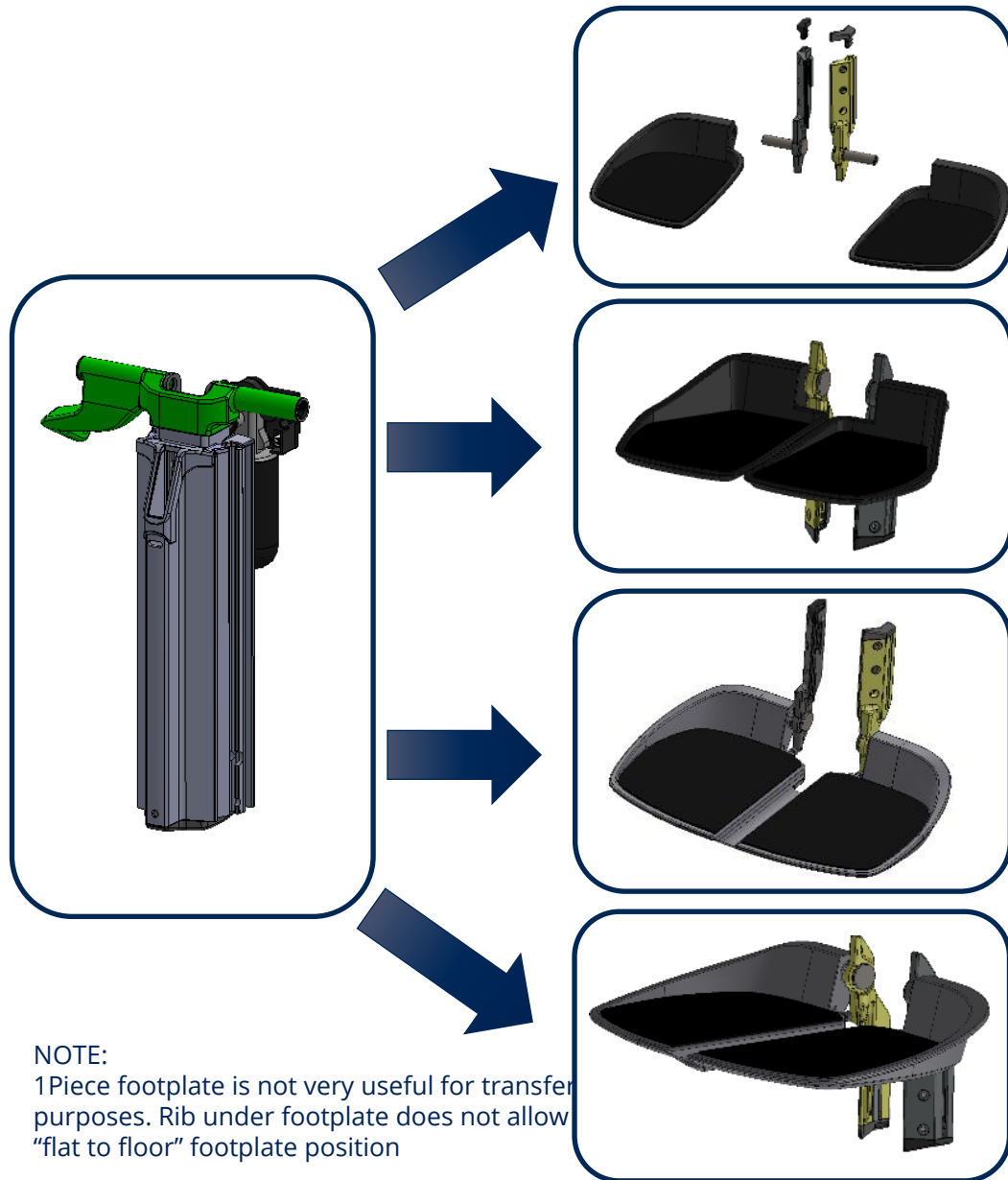
After Market	Description
N/A	FOOTPLATES 2 X 160 LEG LENGTH 290-500MM
N/A	FOOTPLATES 2 X 200 LEG LENGTH 290-500MM

After Market	Description
N/A	FOOTPLATES 2 X 160 LEG LENGTH 140-300MM
N/A	FOOTPLATES 2 X 200 LEG LENGTH 140-300MM

- Note:**
 Calf supports are not compatible with high mounted footplates (Leg length 140-300mm)

After Market	Description
1830548	FOOTPLATE 1 PIECE 320MM FRONT / 210MM REAR LEG LENGTH 290-500MM

Foot plates Corpus (leg rest articulating / 200mm powered length compensation)



After Market	Description
n/a	FOOTPLATES NARROW (16CM) LONG LEGS (255-475)
n/a	FOOTPLATES WIDE (20CM) LONG LEGS (255-475)

After Market	Description
n/a	FOOTPLATES NARROW (16CM) SHORT LEGS (135-255)
n/a	FOOTPLATES WIDE (20CM) SHORT LEGS (135-255)

- Note:**
 Calf supports are not compatible with high mounted footplates (Leg length 140-300mm)

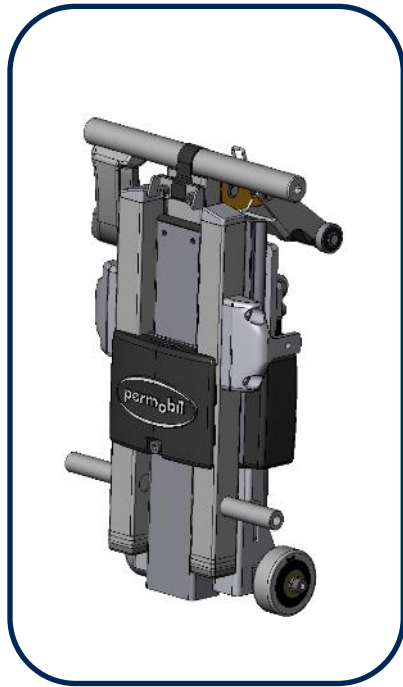
After Market	Description
n/a	FOOTPLATE 1PIECE (42CM) LONG LEGS (255-475)

After Market	Description
n/a	FOOTPLATE 1PIECE (42CM) SHORT LEGS (135-255)

- Note:**
 Calf supports are not compatible with high mounted footplates (Leg length 140-300mm)

NOTE:
 1Piece footplate is not very useful for transfer purposes. Rib under footplate does not allow "flat to floor" footplate position

Foot plates Corpus Leg rest with mechanical length compensation + 100mm power adjustment)



After Market	Description
n/a	FOOTPLATES NARROW (16CM)
n/a	FOOTPLATES WIDE (20CM)

Power adjustable leg rest

RE 25 Smart / Permobil Smart



Used on F-Series till 11-2019

LA 28 Linak digipot



Used on M-Series
Used on F-Series from 11-2019

RE 406 Reac Digipot



Temporary used on M-Series
from 08-2019 till 11-2019

F3, F5 Corpus (RE25)		M3, M5 Corpus (RE406)		Description
After Market		After Market		
1826749		1834341		CONTROL POWER LEGREST STANDARD LEGREST
n/a		1834340		CONTROL POWER LEGREST ARTICULATING LEGREST
1826750		1832929		CONTROL MANUAL LEGREST
F-Series Corpus VS (RE25)				Description
After Market				
n/a				POWER CONTROL ARTICULATING leg rest CORPUS VS

< 11-2019

F3, F5, M3 Corpus (LA28)		M5 Corpus (LA28)		Description
After Market		After Market		
1832919		1834341		CONTROL POWER LEGREST STANDARD LEGREST (LA28)
1832920		1834340		CONTROL POWER LEGREST ARTICULATING LEGREST (LA28)
1832929		1832929		CONTROL MANUAL LEGREST
After Market				Description
1832922				POWER CONTROL ARTICULATING leg rest CORPUS VS

>11-2019

Power adjustable back



Reac Smart Actuator
 Permobil electronic
 Mounting bracket for Reac
 ICS programming for Reac
 Force 3500 N
 Speed: 4mm/sec

F-Series before end 2018



Linak Digipot Actuator
 Linak electronic
 Mounting bracket for Linak
 ICS programming for Linak
 Force: 6000 N
 Speed: 3.2 mm/s

M-Series (all)
 F-Series from end 2018

- Note:**
 180° backrest angle is NOT compatible with a backrest height of 570mm or less in combination with adjustable headrest. (See notes Backrest / Headrest)
 The headrest mounting will collide with backrest profile.
 Select 150°

F-Series Corpus		
	After Market	Description
	1831465	POWER CONTROL BACKREST 180° CORPUS (REAC)
	1831465	POWER CONTROL BACKREST 150° CORPUS (REAC)
	1831373	MANUAL CONTROL BACKREST 120° CORPUS
F5 Corpus VS		
	After Market	Description
	1832918	POWER CONTROL BACKREST 180° CORPUS (REAC)

F-Series till end 2018

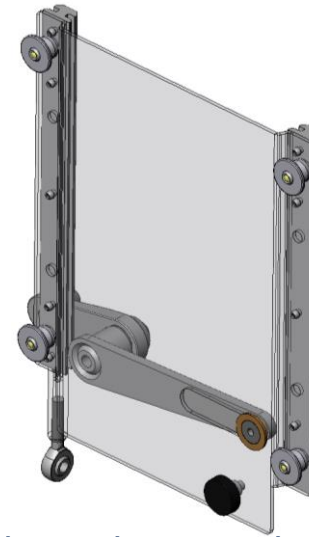
F/M-Series Corpus		
	After Market	Description
	1832917	POWER CONTROL BACKREST 180° RECLINE CORPUS LA28 (LINAK)
		POWER CONTROL BACKREST 150° RECLINE CORPUS
F5 Corpus VS		
	After Market	Description
	1831507	POWER CONTROL BACKREST 180° CORPUS (REAC)

M-Series (all)
 F-Series from end 2018

Fixed – Bio-mechanical Backrest



Backrest fixed



Backrest bio-mechanical (sheering)

After Market	Description
1826445	BACKREST FIXED C 3G
1825618	BACKREST SHEERING C 3G

Backrest adapters for customized backrests



After Market	Description
1828654	DIRECT BACKREST ADAPTER
1827955	TUBULAR BACKREST FRAME

Seat accessories

Permobil Original Lateral support

After Market Description	
1832815	LATERAL SUPPORT PERMOBIL ORIGINAL LARGE 180x130mm LEFT
1832817	LATERAL SUPPORT PERMOBIL ORIGINAL SMALL 130x80mm LEFT
1832816	LATERAL SUPPORT PERMOBIL ORIGINAL LARGE 180x130mm RIGHT
1832818	LATERAL SUPPORT PERMOBIL ORIGINAL SMALL 130x80mm RIGHT

- **Note:**
Not compatible "ergo" trunk supports .
"Ergo" trunk supports will be delivered with the chair (uninstalled)



Lateral support holder
left 1832152
right 1832153

Large pad incl upholstery
1832124
Upholstery
1832088

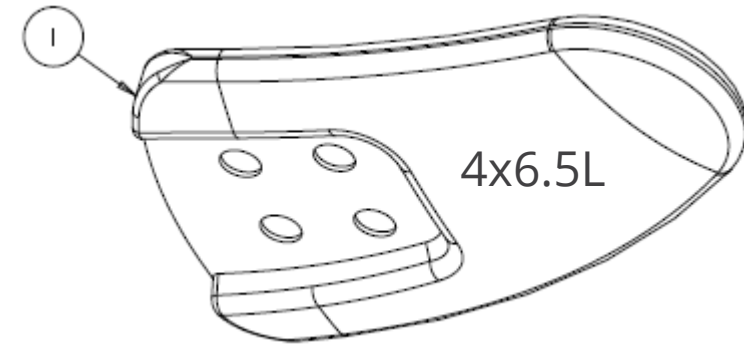
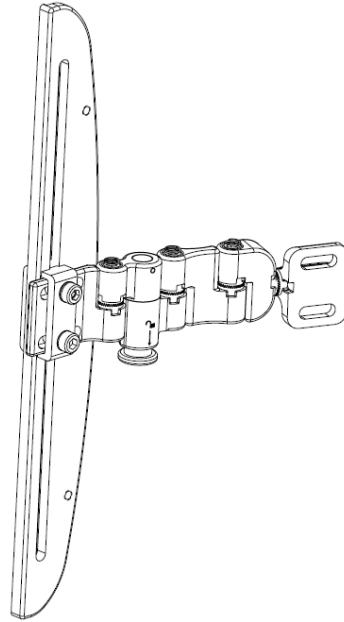
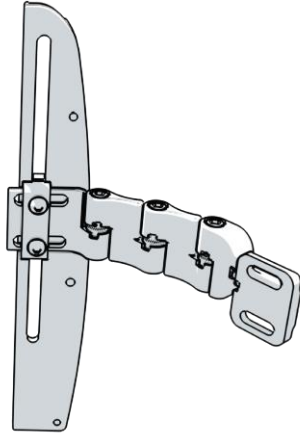
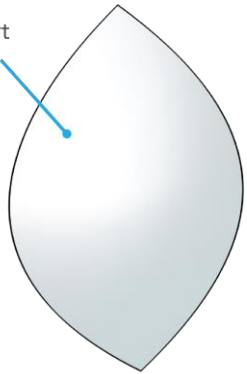


Large pad incl upholstery
1832123
Upholstery
1832087

Bodilink Lateral supports

For Permobil® Corpus® 3G Seating

Back Support Pad



Note: "Extra" Power Hardware does not include additional brackets and/or foam support pads.

Including Bodilink upholstery

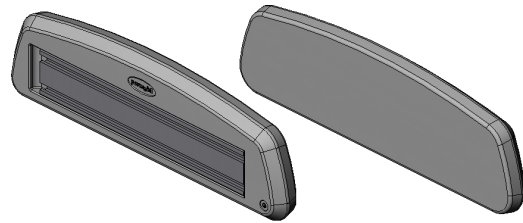
After Market	Description
1836315	BODILINK LTS PREMIUM 3 X 5.5 STRETCH-AIR LEFT
1836317	BODILINK LTS PREMIUM 3 X 5.5 STRETCH-AIR RIGHT
1836319	BODILINK LTS PREMIUM 4 X 6.5 STRETCH-AIR LEFT
1836321	BODILINK LTS PREMIUM 4 X 6.5 STRETCH-AIR RIGHT

- **Note:**
Not compatible "ergo" trunk supports,

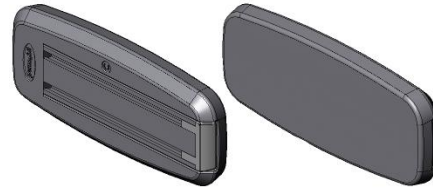
Drawings of padding are equal in MDS:

Thigh supports

Holder 145mm
1821683



G: 300x90mm



C: 200x90mm

Including upholstery



B: 90x110mm

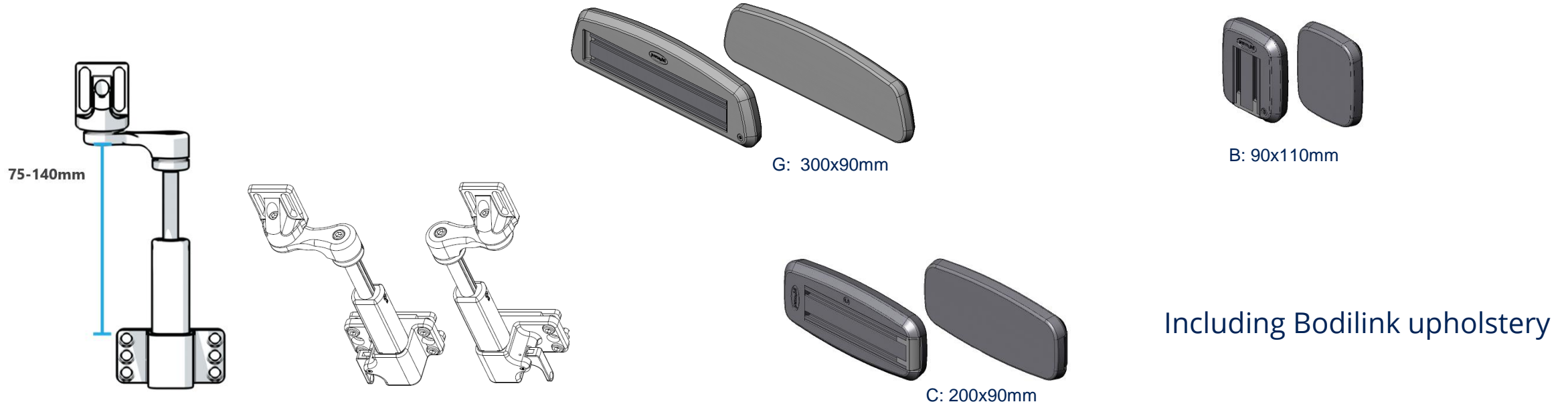


J: 165x120mm

- For After Market codes pads see special page:
Pads Lateral, thigh, hip, amputation supports and armrest (after market info)

After Market	Description
1830821	THIGH SUPPORT LEFT MOD G FABRIC
1830840	THIGH SUPPORT LEFT MOD B FABRIC
1830841	THIGH SUPPORT LEFT MOD C FABRIC
1830842	THIGH SUPPORT LEFT MOD J FABRIC
1830821	THIGH SUPPORT RIGHT MOD G FABRIC
1830840	THIGH SUPPORT RIGHT MOD B FABRIC
1830841	THIGH SUPPORT RIGHT MOD C FABRIC
1830842	THIGH SUPPORT RIGHT MOD J FABRIC

Bodilink Thigh supports

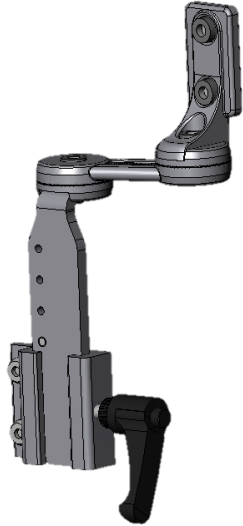


After Market	Description
	BODILINK LPTS PREM 3.5X4 STRETCH-AIR LEFT, THIGH (S) 90x110mm (G)
	BODILINK LPTS PREM 3.5X4 STRETCH-AIR RIGHT, THIGH (S) 90x110mm (G)
	BODILINK LPTS PREM 3.5X8 STRETCH-AIR LEFT, THIGH (L) 200x90mm (C)
	BODILINK LPTS PREM 3.5X8 STRETCH-AIR RIGHT, THIGH (L) 200x90mm (C)
1836345	BODILINK LPTS PREM 3.5X12 STRETCH-AIR LEFT, THIGH (XL) 300x90mm (G)
1836347	BODILINK LPTS PREM 3.5X12 STRETCH-AIR RIGHT, THIGH (XL) 300x90mm (G)

- Note:**
 Not compatible

Hip supports

Holder 105mm
1821682

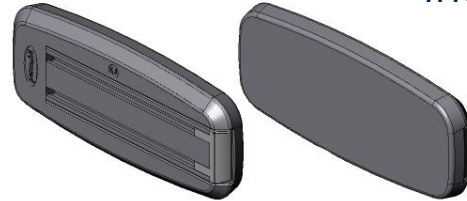


A: 150x140mm



B: 90x110mm

Including upholstery



C: 200x90mm

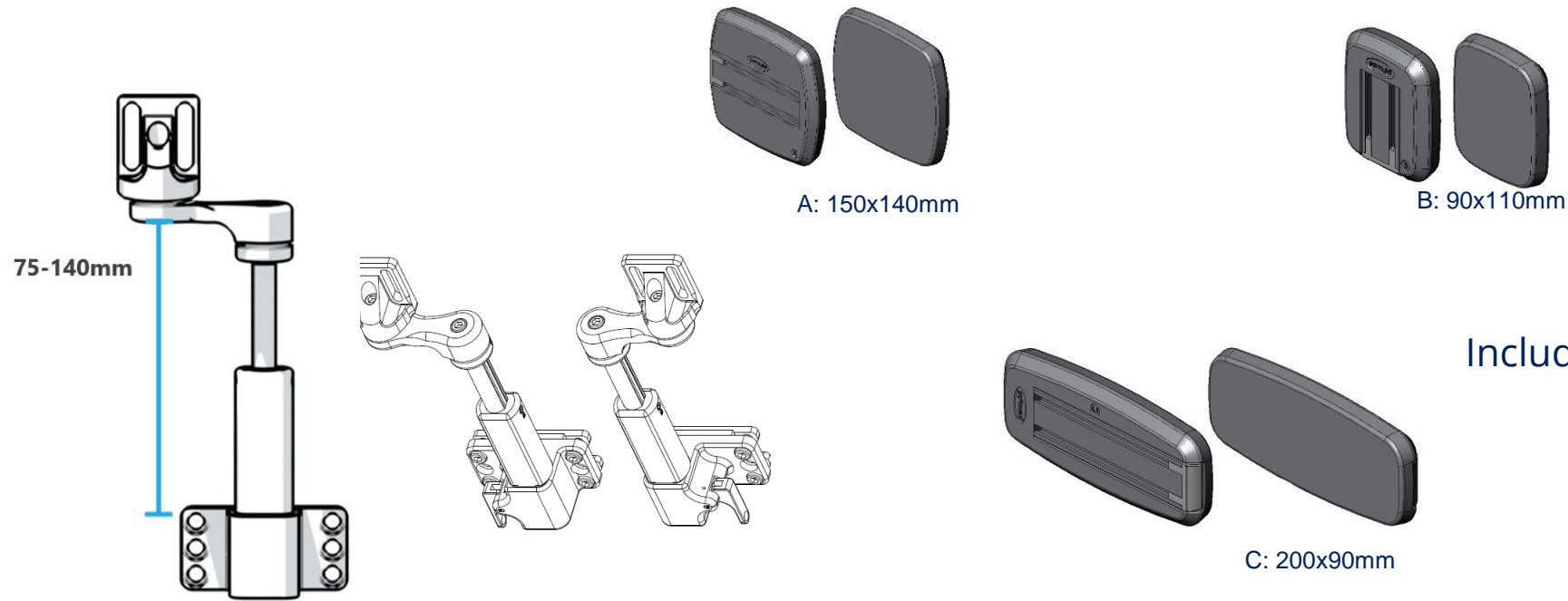


D: 200x200mm

- For After Market codes pads see special page:
Pads Lateral, thigh, hip, amputation supports and armrest (after market info)

After Market	Description
1830836	HIP SUPPORT LEFT MOD A FABRIC
1830837	HIP SUPPORT LEFT MOD B FABRIC
1830838	HIP SUPPORT LEFT MOD C FABRIC
1830839	HIP SUPPORT LEFT MOD D FABRIC
1830836	HIP SUPPORT RIGHT MOD A FABRIC
1830837	HIP SUPPORT RIGHT MOD B FABRIC
1830838	HIP SUPPORT RIGHT MOD C FABRIC
1830839	HIP SUPPORT RIGHT MOD D FABRIC

Bodilink Hip supports

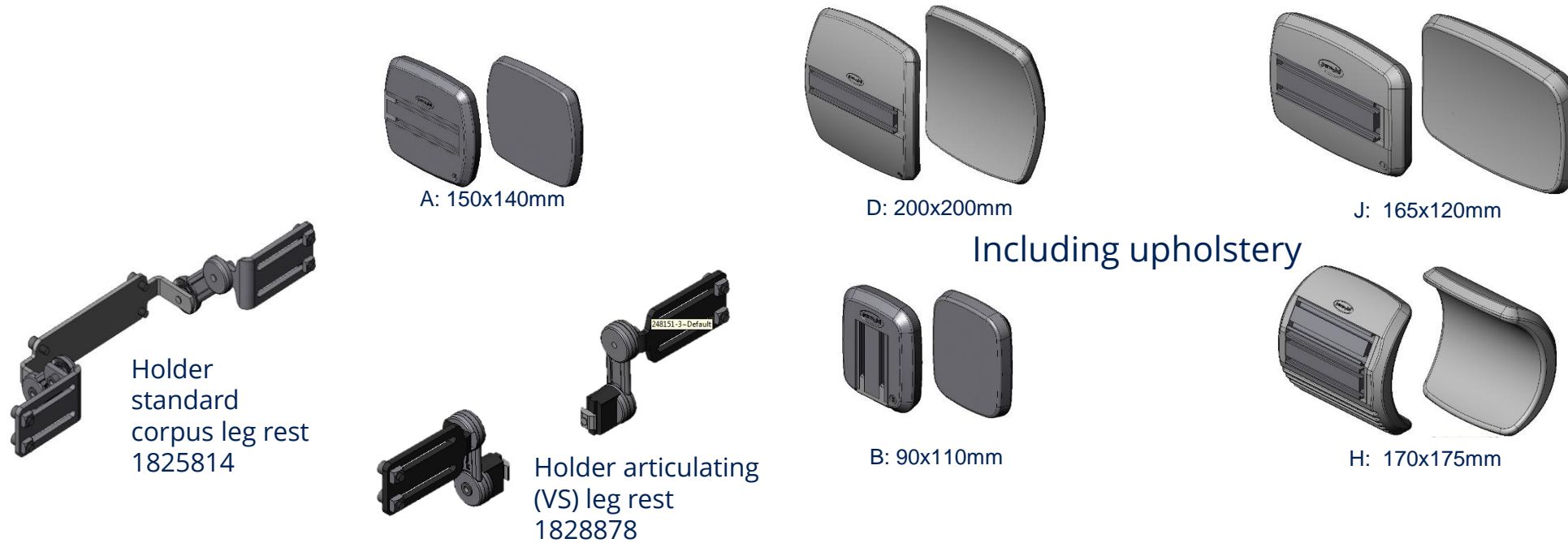


Including Bodilink upholstery

After Market	Description
1836337	BODILINK LPTS PREM 3.5X4 STRETCH-AIR LEFT, HIP (S) 90x110mm (B)
1836339	BODILINK LPTS PREM 3.5X4 STRETCH-AIR RIGHT, HIP (S) 90x110mm (B)
1836341	BODILINK LPTS PREM 3.5X8 STRETCH-AIR LEFT, HIP (L) 200x90mm (C)
1836343	BODILINK LPTS PREM 3.5X8 STRETCH-AIR RIGHT, HIP (L) 200x90mm (C)
1836349	BODILINK LPTS PREM 5.5X6 STRETCH-AIR LEFT, HIP (XL) 150X140 S (A)
1836351	BODILINK LPTS PREM 5.5X6 STRETCH-AIR RIGHT, HIP (XL) 150X140 S (A)

- Note:**
 Not compatible4

Calf supports



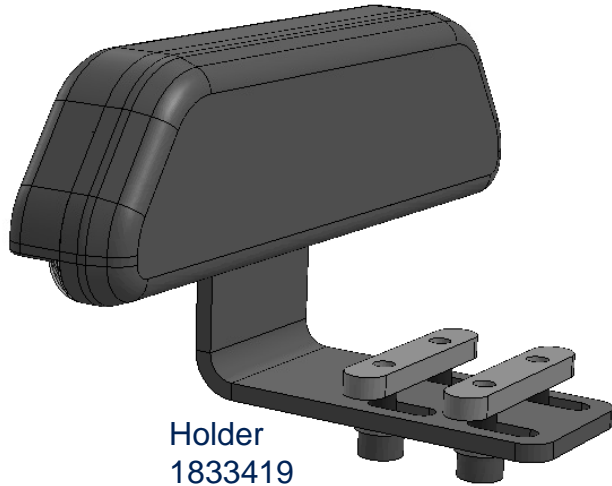
- For After Market codes pads see special page: Pads Lateral, thigh, hip, amputation supports and armrest (after market info)

After Market	Description	Remarks	
1827610	CALF REST A 150X140 FABRIC C 3G	Standard corpus leg rest	
1827612	CALF REST B 110x90 FABRIC C 3G	Standard corpus leg rest	
1827614	CALF REST D 200x200 FABRIC C 3G	Standard corpus leg rest	
1827616	CALF REST H 170x175 (CONTOUR) FABRIC C 3G	Standard corpus leg rest	
1827618	CALF REST J 165x120 FABRIC C 3G	Standard corpus leg rest	
1827618	CALF REST J 165x120 FABRIC C 3G	Standard corpus leg rest	Belgium
1830858	CALFREST (A) 150x140 FABRIC HD	Articulating leg rest (VS)	
1830861	CALFREST (H) 170x175 FABRIC HD	Articulating leg rest (VS)	
1830859	CALFREST (D) 200x200 FABRIC HD	Articulating leg rest (VS)	
1831428	CALF REST (B) 110x90 FABRIC	Articulating leg rest (VS)	
1831429	CALF REST (J) 165x120 FABRIC	Articulating leg rest (VS)	

- Note**
Calf supports are not compatible with high mounted footplates (short lower leg) (See footplates)

Armrest side- and elbow support

Upholstery
1833417
Pad excl upholstery
183314



Holder
1833419



Upholstery
1833415
Pad Mod B excl
upholstery
1821690

Holder
Left 1833422
Right 1833423

After Market	Description
1833418	SIDE SUPPORT ASSEMBLY ARMREST RIGHT OUTSIDE
1833418	SIDE SUPPORT ARMREST ASSEMBLY LEFT OUTSIDE
1833418	SIDE SUPPORT ASSEMBLY ARMREST RIGHT INSIDE
1833418	SIDE SUPPORT ASSEMBLY ARMREST LEFT INSIDE
1833421	SUPPORT ARMREST ASSEMBLY ELBOW STOP LEFT
1833420	SUPPORT ARMREST ASSEMBLY ELBOW STOP RIGHT

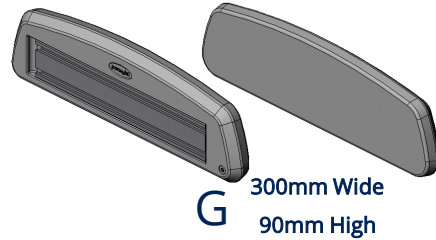
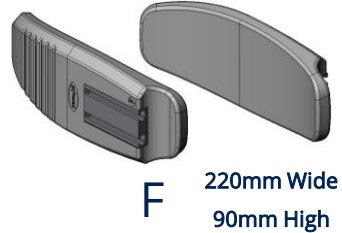
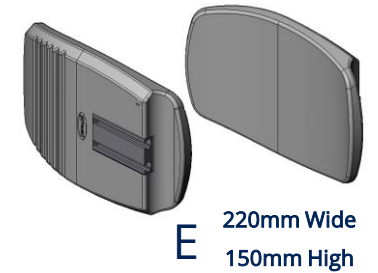
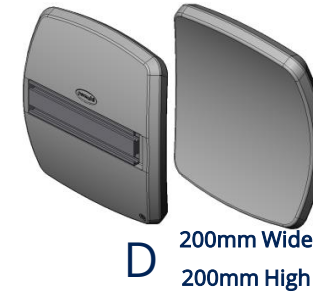
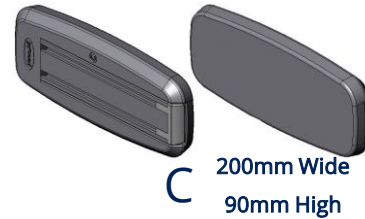
Gel footplate pads



- **Note**
Gel pads only / not the footplate

After Market	Description
1829167	STEALTH GEL PADS FOR EXTRA WIDE FOOTPLATES (HD / PAIR)
1829168	STEALTH GEL PADS FOR WIDE FOOTPLATES (PAIR)
1829722	STEALTH GEL PADS FOR NARROW FOOTPLATES (PAIR)

Pads Lateral, thigh, hip, amputation supports and armrest (after market info)



Below articles are per piece – so NOT a pair

StockCode	Description	StockCode	Description
1821697	UPHOLSTERY CUSH. mod A 150x140	1821689	CUSHION mod A 150x140
1821698	UPHOLSTERY CUSH. mod B 110x90	1821690	CUSHION mod B 110x90
1821699	UPHOLSTERY CUSH mod C 200x90	1821695	CUSHION mod C 200x90
1821700	UPHOLSTERY CUSH mod D 200x200	1821691	CUSHION mod D 200x200
1821701	UPHOLSTERY CUSH mod E 220x150	1821692	CUSHION mod E 220x150
1821702	UPHOLSTERY CUSH mod F 220x90	1821693	CUSHION mod F 220x90
1821703	UPHOLSTERY CUSH mod G 300x90	1821696	CUSHION mod G 300x90
1821704	UPHOLSTERY CUSH mod H 170x175	1821694	CUSHION mod H 170x175
1821706	UPHOLSTERY CUSH mod J 165x120	1821245	CUSHION mod J 165x120



- Note**
 Upholstery and Cushion are sold separately

Amputation support



Holder
1830541



A 150mm Wide
140mm High



J 165mm Wide
120mm High



D 200mm Wide
200mm High



H 170mm Wide
175mm High

Including upholstery

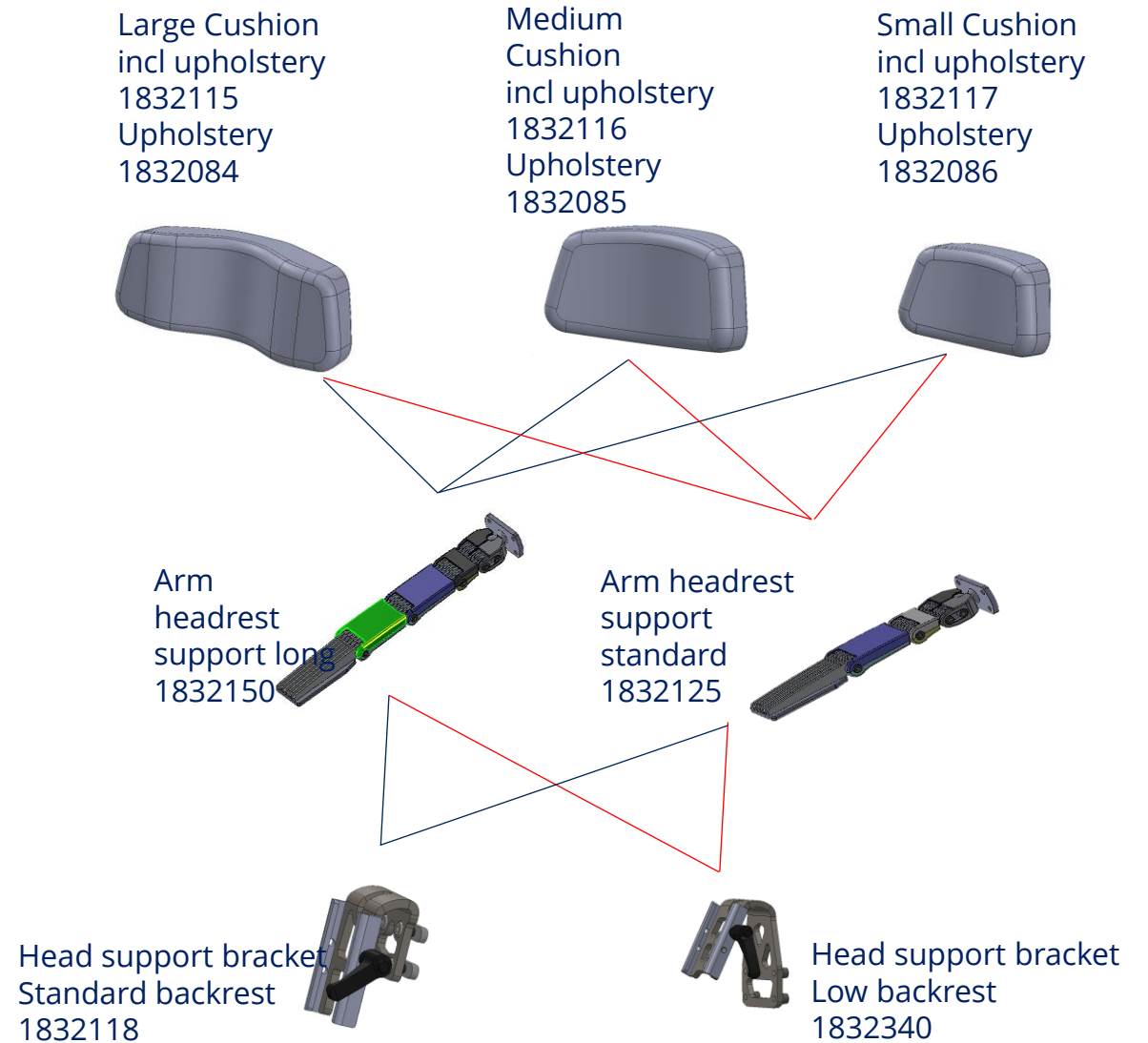
For After Market codes pads see special page:
Pads Lateral, thigh, hip, amputation supports and armrest (after market info)

	After Market	Description
1 st support	1830547	LEGREST AMPUTATION mod J (MEDIUM) FABRIC CORPUS 3G
	1830542	LEGREST AMPUTATION mod A (SMALL) FABRIC CORPUS 3G
	1830543	LEGREST AMPUTATION mod D (XLARGE) FABRIC CORPUS 3G
	1830545	LEGREST AMPUTATION mod H (LARGE) FABRIC CORPUS 3G
	n/a	MOUNT POS AMPUTATION SUPPORT RIGHT
	n/a	MOUNT POS AMPUTATION SUPPORT LEFT
2 nd support	1830547	LEGREST AMPUTATION mod J (MEDIUM) FABRIC CORPUS 3G
	1830542	LEGREST AMPUTATION mod A (SMALL) FABRIC CORPUS 3G
	1830543	LEGREST AMPUTATION mod D (XLARGE) FABRIC CORPUS 3G
	1830545	LEGREST AMPUTATION mod H (LARGE) FABRIC CORPUS 3G

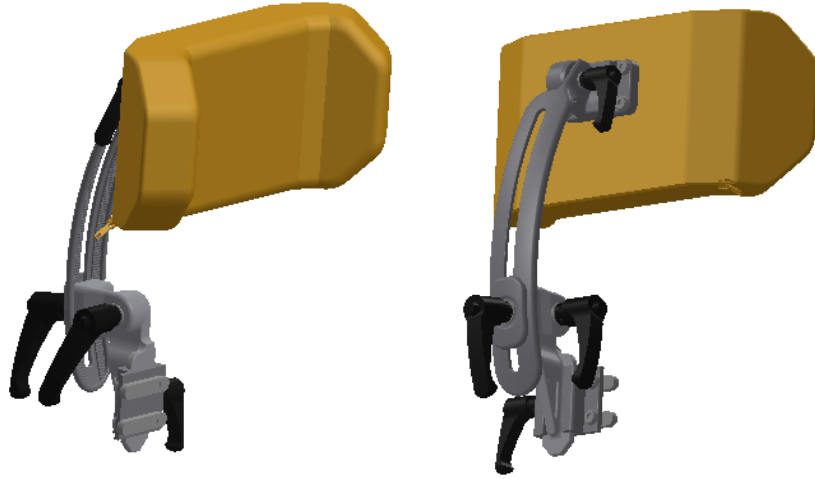
Permobil Original Head support



After Market	Description
1832812	HEADREST L LONG ARM
1832811	HEADREST L LONG ARM SHORT BACKREST
1832814	HEADREST L STD ARM
1832813	HEADREST L STD ARM SHORT BACKREST
1832806	HEADREST M LONG ARM
1832805	HEADREST M LONG ARM SHORT BACKREST
1832804	HEADREST M STD ARM
1832803	HEADREST M STD ARM SHORT BACKREST
1832808	HEADREST S LONG ARM
1832807	HEADREST S LONG ARM SHORT BACKREST
1832810	HEADREST S STD ARM
1832809	HEADREST S STD ARM SHORT BACKREST



Head support



After Market	Description	Remark
	HEADREST LEATHERETTE CORPUS 3G	
1828989	HEADREST FABRIC CORPUS 3G	
1828988	HEADREST SHORT BACK FABRIC CORPUS 3G	
1828969	HEADREST SHORT BACK SKAI CORPUS 3G	

- **Note:**
Not compatible backrest height < 570mm in combination with
and power backrest 180°.
Select the backrest angle adjustment of 150°.

Head support



After Market Description	
1828968	HEADREST ERGO CORPUS 3G
1828987	HEADREST ERGO FABRIC CORPUS 3G
1828967	HEADREST ERGO SHORT BACK CORPUS 3G
1828986	HEADREST ERGO SHORT BACK FABRIC CORPUS 3G

- **Note:**
Not compatible backrest height < 570mm in combination with
and power backrest 180°.
Select the backrest angle adjustment of 150°.

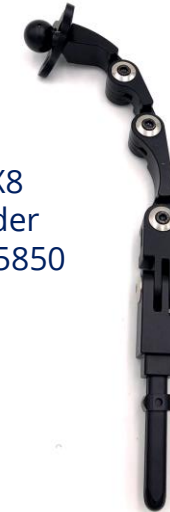
Permobil Head support with BodiLink holder



Large Cushion
incl upholstery
1832115
Upholstery
1832084

Medium Cushion
incl upholstery
1832116
Upholstery
1832085

Small Cushion
incl upholstery
1832117
Upholstery
1832086



MAX8
Holder
1835850

Head support
bracket
Standard backrest
1835851



Head support bracket
Low backrest
1835852



After Market	Description
1836219	Headrest S BodiLink MAX 8 Arm*
1836221	Headrest S BodiLink MAX 8 Arm, Short Backrest*
1835845	Headrest M BodiLink MAX 8 Arm*
1835846	Headrest M BodiLink MAX 8 Arm, Short Backrest*
1835847	Headrest L BodiLink MAX 8 Arm*
1835849	Headrest L BodiLink MAX 8 Arm, Short Backrest*
1835850	Adj/Removable Bodilink Headrest Hardware MAX 8*
1835851	Bodilink Headrest Bracket Corpus (PW2A)
1835852	Bodilink Headrest Bracket Corpus Short Backrest (PW2B)

- Note:**
 This headrest type is required if a swing away chin boom will be installed

Permobil Original Head support for Agility Backrest



Large Cushion
incl upholstery
1832115
Upholstery
1832084



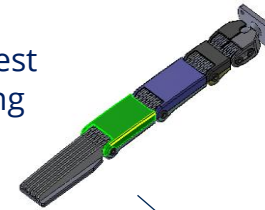
Medium Cushion
incl upholstery
1832116
Upholstery
1832085



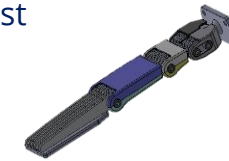
Small Cushion
incl upholstery
1832117
Upholstery
1832086



Arm headrest
support long
1832150



Arm headrest
support
standard
1832125



Head support
bracket Agility
1834888

After Market	Description
1835398	HEADREST S STD ARM AGILITY
1835399	HEADREST S LONG ARM AGILITY
1835400	HEADREST M STD ARM AGILITY
1835401	HEADREST M LONG ARM AGILITY
1835402	HEADREST L STD ARM AGILITY
1835403	HEADREST L LONG ARM AGILITY

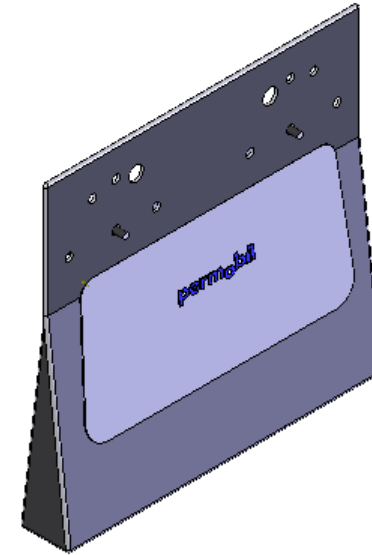
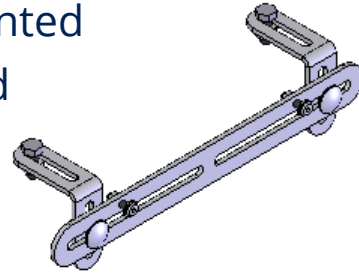
Facial support / switches

After Market	Description
1833622	Swing Away Egg Switch, Left
1833622	Swing Away Egg Switch, Right
1833625	Swing Away Micro Light Switch, Left
1833625	Swing Away Micro Light Switch, Right
1833632	Swing Away Facial Support, 110x60mm, Left
1833632	Swing Away Facial Support, 110x60mm, Right
1833634	Swing Away Facial Support, 160x60mm, Left
1833634	Swing Away Facial Support, 160x60mm, Right
Extension cable is required when switches are used	
1828258	3.5mm Ext. Cable for Sensor/Switch, 1m Long *
1828260	3.5mm Ext. Cable for Sensor/Switch, 2m Long *
1833630	Facial Support Standard PERMOfix Joint Assembly
1833629	Facial Support Long PERMOfix Joint Assembly
1833637	Facial Support Cover, 110x60mm
1833636	Facial Support Cover, 160x60mm
1832085	Upholstery, Head Support Medium 270x130mm
1832084	Upholstery, Head Support Large 355x140mm
1832086	Upholstery, Head Support Small 200x115mm



Pouches

Armrest mounted
Seat mounted



After Market	Description
1831834	ARMREST POUCH BLACK RIGHT
1831834	ARMREST POUCH BLACK LEFT
1831834	ARMREST POUCH BLACK CENTER MOUNTED

- **Note:**
Not compatible Trough Armrests

Ny BAGASJEBOKS (des. 2020) til M/F serien

Part Numbers

	<i>On Chair</i>	<i>Aftermarket</i>
LUGGAGE BOX INCL REFLECTORS, 2020	109170-99-0	1836581
LUGGAGE BOX INCL LIGHTS, 2020	109169-99-0	1836582
LID, LUGGAGE BOX, 2020	-	1836803
CABLE, LED LIGHTS, LUGGAGE BOX, 2020	-	1836584
CABLE EXT AND BRACKET, LUGGAGE BOX, 2020	-	1836585
BRACKET, REAR UPPER MOUNT LUGGAGE BOX, F3 F5 M3 M5	-	1832009*
BRACKET, REAR LOWER MNTG LUGGAGE BOX, F3 F5 M3 M5	-	1832006*

*Existing spare part



Kroker til veske/belte og bagasjeboks rygg



After Market	Description
1828068	BAG HOOKS OPEN UNITRACK
1830621	BACK PACK

- **Note:**
Backpack requires Bag Hooks



Positioning belts Permobil

After Market	Description
305506-40-0	SEATBELT BUCKLE
305003-99-0	SEATBELT SELF ADJUSTING
305982-99-0	SEATBELT FOUR-POINT
310189-99-0	SEATBELT SELF ADJUSTING LONG

- **Note**
Self adjusting belts are not allowed on a Corpus VS



305506-40-0



305982-99-0



305003-99-0



310189-99-0

Positioning belts Bodypoint

After Market	Description	Corpus	Corpus VS	Corpus HD	M1	PSjr	Koala
1832771	BELT 2-POINT MEDIUM NONPAD BODYPOINT	x	x	x	x	x	
1824797	BELT 2-POINT LARGE NONPAD BODYPOINT	x	x	x	x		
1828141	BP HIP BELT 2-POINT SMALL 38CM PADS					x	
1824798	BP HIP BELT 2-POINT MEDIUM 46CM PADS	x	x	x	x	x	
1824799	BP HIP BELT 2-POINT LARGE 62CM PADS	x	x	x	x		
1829246	BP HIP BELT 2-POINT XLARGE 92CM PADS			x			
1834723	BP HIP BELT 2PT C PULL, LATCH 46cm PAD	x	x	x	x	x	
1834722	BP HIP BELT 2PT C PULL, LATCH, 62cm PAD	x	x	x	x		
1834721	BP HIP BELT 4PT R PULL, PUSH BUTTON, 46cm PAD	x	x	x	x	x	
1832775	MONOFLEX BELT BODYPOINT MEDIUM	x	x	x	x		
1832774	MONOFLEX BELT BODYPOINT LARGE	x	x	x	x		
1832776	MONOFLEX BELT BODYPOINT X-LARGE	x	x	x	x		
1834736	BP PIVOTFIT SHOULDER HARNESS FP SMALL KIT	x	x	x	x		
1834737	BP PIVOTFIT SHOULDER HARNESS FP MEDIUM KIT	x	x	x	x		
1834738	BP PIVOTFIT SHOULDER HARNESS FP LARGE KIT	x	x	x	x		
1834739	BP PIVOTFIT SHOULDER HARNESS FP XL KIT	x	x	x	x		
1834725	BP STAYFLEX CHEST SUPPORT FP X-SMALL KIT	x	x	x	x		
1834726	BP STAYFLEX CHEST SUPPORT FP SMALL KIT	x	x	x	x		
1834727	BP STAYFLEX CHEST SUPPORT FP MEDIUM KIT	x	x	x	x		
1834728	BP STAYFLEX CHEST SUPPORT FP LARGE KIT	x	x	x	x		
1834729	BP STAYFLEX CHEST SUPPORT FP X-LARGE KIT	x	x	x	x		
1828132	CHEST STRAP BODYPOINT ELASTIC SMALL	x	x	x	x	x	
1828128	CHEST STRAP BODYPOINT ELASTIC LARGE	x	x	x	x	x	



Hip belts non padded



Hip belts padded with Rehab Latch



Hip belts padded



4-Point R pull



Monoflex™ Chest Support



PivotFit™ Shoulder Harness



Chest strap elastic



Stayflex™ Chest Support

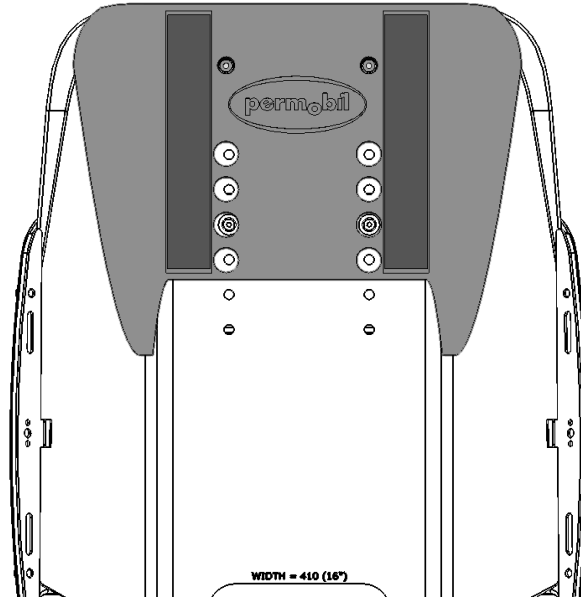
Abduction wedge



After Market	Description
1830159	ABDUCTION WEDGE

- **Note**
 - Not compatible with seat depths:
42 - 49.5 and 57cm
(seat plate is covering mounting holes. (Requires Customization))
 - Not compatible with Corpus VS
(Conflict with knee support)

Wedge backrest / shoulder support



After Market	Description
1827051	WEDGE BACKREST 360 W C 3G
1827052	WEDGE BACKREST 410 W C 3G
1827053	WEDGE BACKREST 460 W C 3G
1827054	WEDGE BACKREST 510 W

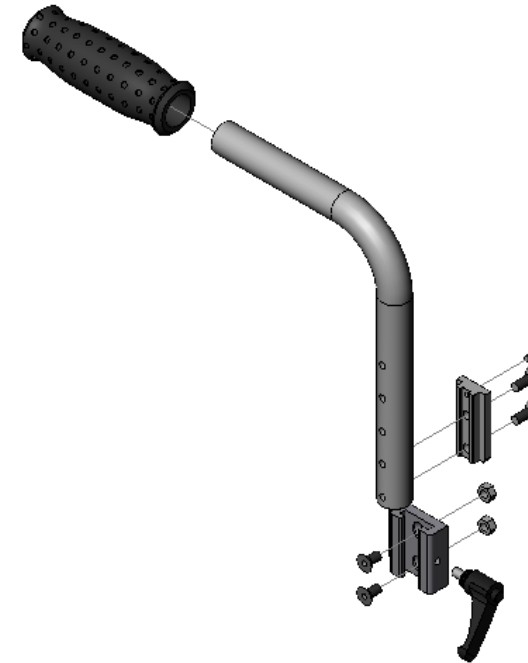
Support Handle Armrest



After Market	Description
1828961	SUPPORT HANDLE ARMREST
n/a	MOUNT POS SUPPORT HANDLE ARMREST LEFT
n/a	MOUNT POS SUPPORT HANDLE ARMREST RIGHT

Transfer / Support Handles

After Market	Description
1827718	SUPPORT HANDLES SET (pair) C 3G

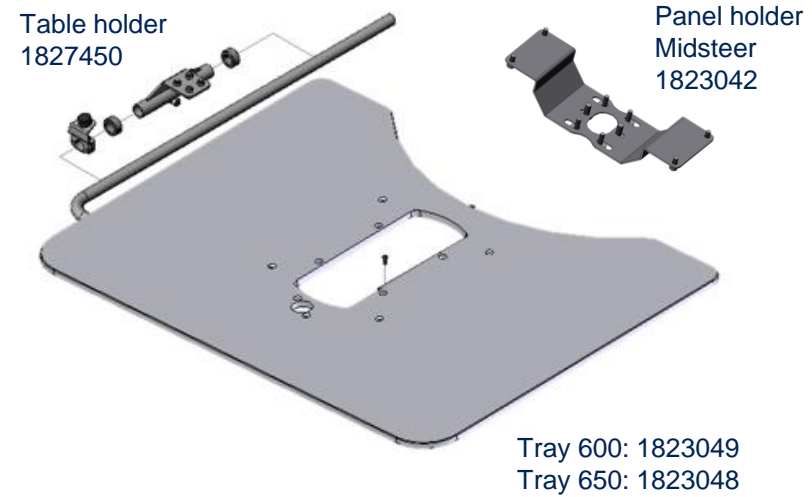
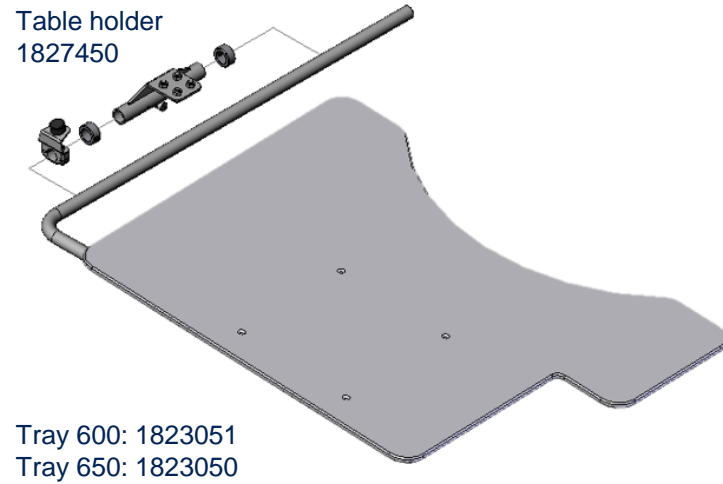


Push handles



After Market	Description
1825812	PUSH HANDLES C 3G
1825812 +	
1828006	PUSH HANDLES C 3G NARROW BACKREST

Table swing away



After Market	Description	Remark
1827453	TABLE SWING AWAY SIDE CUT R-NET C 3G 600 * 450	317281
1827454	TABLE SWING AWAY SIDE CUT R-NET C 3G 650 * 500	317279
1827455	TABLE SWING AWAY CENTER MOUNTED R-NET C 3G 600 * 500	317233
1827456	TABLE SWING AWAY CENTER MOUNTED R-NET C 3G 650 *500	317191
1827453	TABLE SWING AWAY SIDE CUT R-NET C 3G 600 * 450	Belgium
1827454	TABLE SWING AWAY SIDE CUT R-NET C 3G 650 * 500	Belgium
1827455	TABLE SWING AWAY CENTER MOUNTED R-NET C 3G 600 * 500	Belgium
1827456	TABLE SWING AWAY CENTER MOUNTED R-NET C 3G 650 *500	Belgium
n/a	MOUNT POS TABLE SWINGABLE RIGHT	
n/a	MOUNT POS TABLE SWINGABLE LEFT	

- Note**
 - Not compatible Trough Armrests
 - Not compatible with swing away armrests
 - Not to be used while standing

Angle adjustable table

Tray 500mm x 330mm
1824877



Holder:
1831843

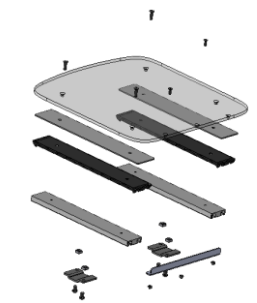
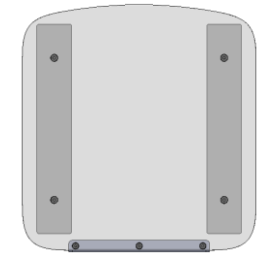
After Market	Description
1830491	TABLE VARIABLE ANGLE

- **Note**
Not compatible Trough Armrests

Angle adjustable table

After Market	Description
1835256	ADJUSTABLE TRAY CORPUS 280mm RIGHT
1835257	ADJUSTABLE TRAY CORPUS 330mm RIGHT
1835258	ADJUSTABLE TRAY CORPUS 380mm RIGHT
1835259	ADJUSTABLE TRAY CORPUS 430mm RIGHT
1835260	ADJUSTABLE TRAY CORPUS 480mm RIGHT
1835266	ADJUSTABLE TRAY CORPUS 280mm LEFT
1835267	ADJUSTABLE TRAY CORPUS 330mm LEFT
1835268	ADJUSTABLE TRAY CORPUS 380mm LEFT
1835269	ADJUSTABLE TRAY CORPUS 430mm LEFT
1835270	ADJUSTABLE TRAY CORPUS 480mm LEFT
1835295	ADJUSTABLE TRAY CORPUS VS 280mm RIGHT
1835279	ADJUSTABLE TRAY CORPUS VS 330mm RIGHT
1835280	ADJUSTABLE TRAY CORPUS VS 380mm RIGHT
1835281	ADJUSTABLE TRAY CORPUS VS 430mm RIGHT
1835282	ADJUSTABLE TRAY CORPUS VS 480mm RIGHT
1835296	ADJUSTABLE TRAY CORPUS VS 280mm LEFT
1835283	ADJUSTABLE TRAY CORPUS VS 330mm LEFT
1835284	ADJUSTABLE TRAY CORPUS VS 380mm LEFT
1835285	ADJUSTABLE TRAY CORPUS VS 430mm LEFT
1835286	ADJUSTABLE TRAY CORPUS VS 480mm LEFT

- Note:**
 Not compatible Trough Armrests



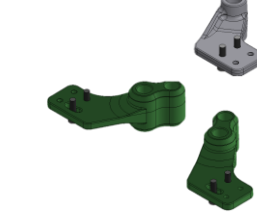
- Tray 280mm 1834699
- Tray 330mm 1834698
- Tray 380mm 1834696
- Tray 430mm 1834695
- Tray 480mm 1834697



- Right Side Adjust 1834700
- Left Side Adjust 1834701



- Corpus/PS Jr/MX 1834702



- Receivers - VS 1834704

Angle adjustable table

Compatibility info:

Corpus / Corpus HD

Width between armrests	Maximum Functionality	Moderate Functionality
380mm	Tray 330mm	Tray 380mm
430mm	Tray 380mm	Tray 430mm
480mm	Tray 430mm	Tray 480mm
530mm	Tray 480mm	
580mm	Tray 480mm	
610mm (HD)	Tray 480mm	
635mm (HD)	Tray 480mm	
	Maximum Functionality	Moderate Functionality
Depth Range	215mm 90mm for 280mm Tray	215mm 90mm for 280mm Tray
Height Range	-25mm to 100mm above armrest	0mm to 100mm above armrest
Angle range	0° to 90° degr	0° to 90° degr <i>But limited at lower heights</i>

Corpus VS

Width between armrests	Maximum Functionality	Moderate Functionality
380mm	Tray 280mm	Tray 330mm
430mm	Tray 330mm	Tray 380mm
480mm	Tray 380mm	Tray 430mm
530mm	Tray 430mm	Tray 480mm
580mm	Tray 480mm	
	Maximum Functionality	Moderate Functionality
Depth Range	215mm 90mm for 280mm Tray	215mm 90mm for 280mm Tray
Height Range	-25mm to 100mm above armrest	0mm to 100mm above armrest
Angle range	0° to 90° degr	0° to 90° degr <i>But limited at lower heights</i>

Angle adjustable table

Compatibility info:

PS Junior

Configuration	Seat width	Matches distance between armrests	Maximum Functionality	Moderate Functionality	Notes
100mm Armrests	275mm	250mm	N/A	Tray 280mm	Each armrest must be adjusted 13mm outwards
	300mm	275mm	N/A	Tray 280mm	
	325mm	300mm	N/A	Tray 280mm	
	350mm	325mm	Tray 280mm	Tray 330mm	
	375mm	350mm	Tray 280mm	Tray 330mm	
	400mm	375mm	Tray 330mm	Tray 330mm	
88mm Armrests	275mm	262mm	N/A	Tray 280mm	Each armrest must be adjusted 25mm outwards
	300mm	287mm	N/A	Tray 280mm	Each armrest must be adjusted 13mm outwards
	325mm	312mm	N/A	Tray 280mm	
	350mm	337mm	N/A	Tray 280mm	
	375mm	362mm	Tray 280mm	Tray 280mm	
	400mm	387mm	Tray 280mm	Tray 330mm	

	Maximum Functionality	Moderate Functionality
Depth Range	215mm 90mm for 280mm Tray	215mm 90mm for 280mm Tray
Height Range	-25mm to 100mm above armrest	0mm to 100mm above armrest
Angle range	0° to 90° degr	0° to 90° degr <i>But limited at lower heights</i>

College table / small table armrest



After Market	Description	Remarks
1827438	COLLEGE TABLE SMALL LEFT MOUNT	
1827438	COLLEGE TABLE SMALL RIGHT MOUNT	
1827438	COLLEGE TABLE SMALL LEFT MOUNT	Belgium
1827438	COLLEGE TABLE SMALL RIGHT MOUNT	Belgium

Foot fixation

After Market	Description
1822805	FOOTSTRAP KIT PADDED
1822838	FOOTSTRAP
1834973	BP ANKLE HUGGERS (2018) - MEDIUM
1834974	BP ANKLE HUGGERS (2018) - LARGE



1822805

1822838

1834973
1834974

Inflatable Lumbar support



After Market	Description
600915-99-0	LUMBAR SUPPORT INFLATABLE

Crutch holder / Oxygen Bottle holder



After Market	Description
1827130	CRUTCH HOLDER C 3G
n/a	MOUNT POS CRUTCH HOLDER RIGHT
n/a	MOUNT POS CRUTCH HOLDER LEFT
1827131	OXYGEN HOLDER C 3G

Extra accessories

RAM mount accessories



1830709



1830348



1829004

After Market	Description
1829004	SELF LEVELING CUP HOLDER
1830348	X-GRIP PHONE HOLDER
1830709	TABLET HOLDER X-GRIP WITH BRACKET

Swing Away Chin Boom

Chin Boom Assembly



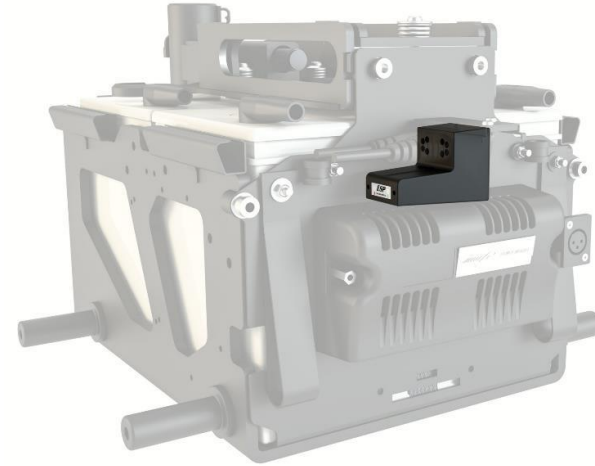
After Market	Description
1835854	SWING AWAY CHIN BOOM ASSEMBLY FOR COMPACT JOYSTICK LEFT
1835855	SWING AWAY CHIN BOOM ASSEMBLY FOR COMPACT JOYSTICK RIGHT
1835856	SWING AWAY CHIN BOOM ASSEMBLY FOR MINI JOYSTICK LEFT
1835857	SWING AWAY CHIN BOOM ASSEMBLY FOR MINI JOYSTICK RIGHT

- **Note:**
Requires a headrest with Bodilink hardware
(Stability / strength reasons)

Chassis

ESP

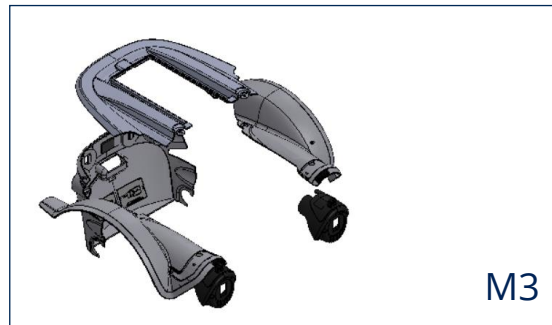
- Standard on all F-Series
- Optional on M-Series



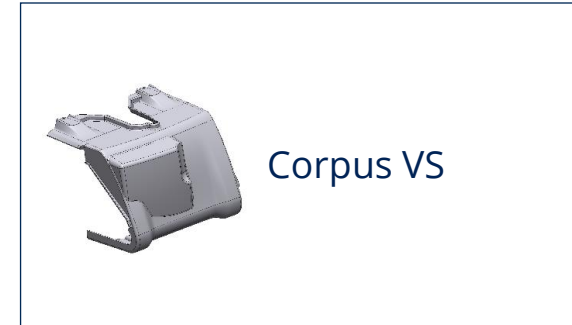
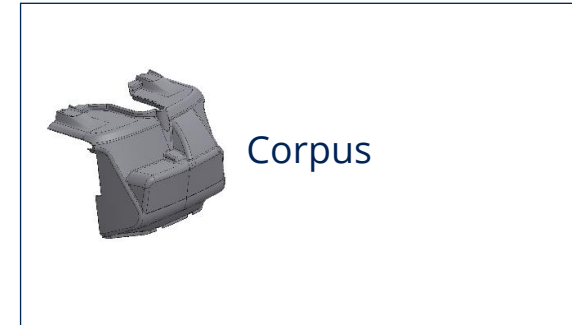
On Chair F3/F5	On Chair M3/M5	Description
	x	ESP UNIT NOT INCLUDED
x		ESP UNIT R-NET INCL CABLE
After market	1822804	ESP without cabling

Covers

■ Base covers



■ Front Cover



After Market	Description
1830896	COVER KIT BLACK STRUCTURE F5
1831381	COVER KIT BASIC BLACK STRUCTURE F3
1832953	COVER KIT BASIC BLACK STRUCTURE M3
1833707	COVER KIT BASIC BLACK STRUCTURE M5

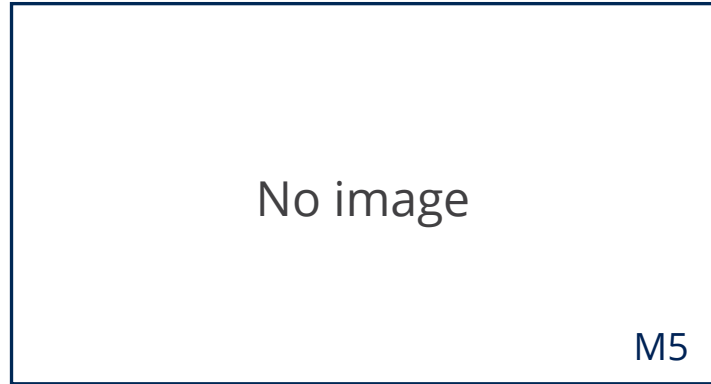
After Market	Description
1830897	COVER FRONT
1830898	COVER FRONT SUPPORT WHEELS

Accent Colors 5-Series

■ Base covers

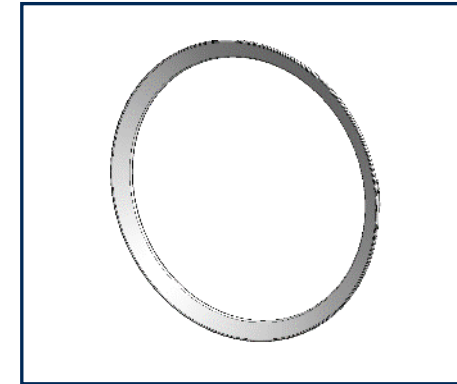


F5 <2019



M5

■ Rims



Sunburst Orange



Galactic Green



Midnight Black



Ocean Blue



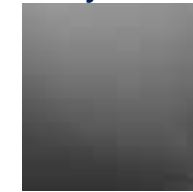
Radiant Red



Power Pink



Phantom Grey



Titan Blue

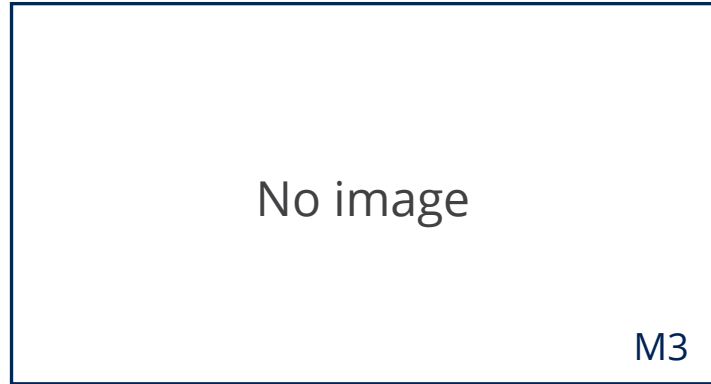
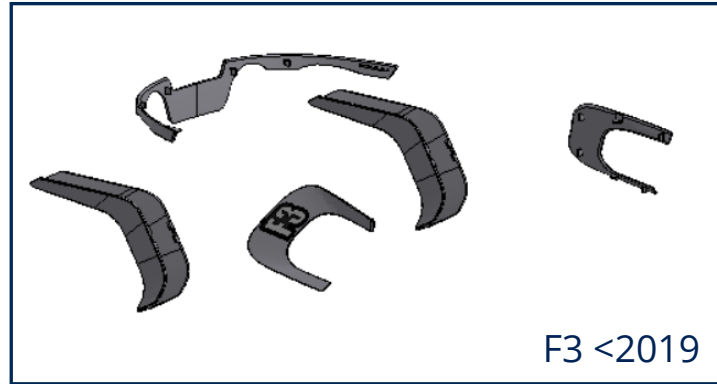


After Market	After Market	Description
F5	M5	
1830907	n/a	COVER KIT SUNBURST ORANGE
1831132	n/a	COVER KIT GALACTIC GREEN
1831133	n/a	COVER KIT MIDNIGHT BLACK
1831134	n/a	COVER KIT OCEAN BLUE
1831135	n/a	COVER KIT PHANTOM GREY
1831136	n/a	COVER KIT POWER PINK
1831137	n/a	COVER KIT RADIANT RED
1831138	n/a	COVER KIT TITAN BLUE

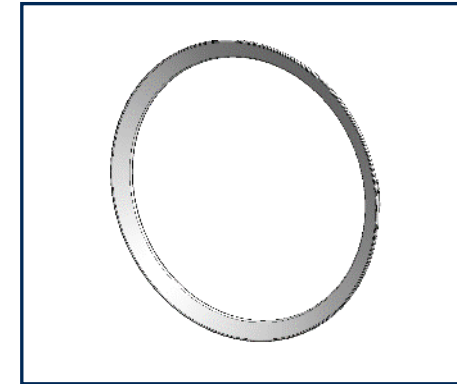
After Market	Description
2 x 1830908	RIM COLOR INSERT SUNBURST ORANGE
2 x 1831146	RIM COLOR INSERT GALACTIC GREEN
2 x 1831147	RIM COLOR INSERT MIDNIGHT BLACK
2 x 1831148	RIM COLOR INSERT OCEAN BLUE
2 x 1831149	RIM COLOR INSERT PHANTOM GREY
2 x 1831150	RIM COLOR INSERT POWER PINK
2 x 1831151	RIM COLOR INSERT RADIANT RED
2 x 1831152	RIM COLOR INSERT TITAN BLUE

Accent Colors 3 Series

■ Base covers



■ Rims



Sunburst Orange



Galactic Green



Midnight Black



Ocean Blue



Radiant Red



Power Pink



After Market	After Market	Description
F3	M3	
1831387	n/a	COVER KIT SUNBURST ORANGE
1831382	n/a	COVER KIT GALACTIC GREEN
1831383	n/a	COVER KIT MIDNIGHT BLACK
1831384	n/a	COVER KIT OCEAN BLUE
1831385	n/a	COVER KIT POWER PINK
1831386	n/a	COVER KIT RADIANT RED

After Market	Description
2 x 1830908	RIM COLOR INSERT SUNBURST ORANGE
2 x 1831146	RIM COLOR INSERT GALACTIC GREEN
2 x 1831147	RIM COLOR INSERT MIDNIGHT BLACK
2 x 1831148	RIM COLOR INSERT OCEAN BLUE
2 x 1831150	RIM COLOR INSERT POWER PINK
2 x 1831151	RIM COLOR INSERT RADIANT RED

Covers F-Series V2 Model 2019

■ Base covers



After Market	Description
n/a	COVER KIT BLACK STRUCTURE F5
n/a	COVER KIT BLACK STRUCTURE F3

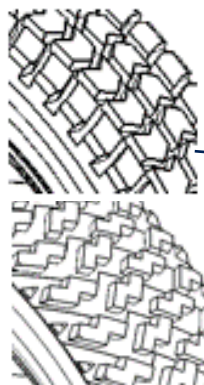
■ Front Cover



After Market	Description
1835025	COVER FRONT
1835026	COVER FRONT SUPPORT WHEELS

Tires / Wheels F-Series (model < 2109) and M-series

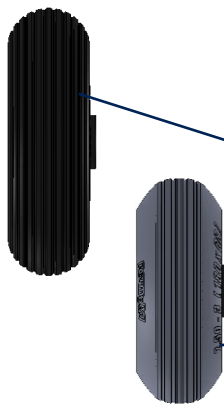
	M3	M5	F3	F5
Drive wheel	Air filled / standard profile			
	Solid /Standard profile			
	Airfilled deep profile (all weather tires)			



Description	After Market
	Tire only (1 pcs)
WHEEL 3.00X8 AIR BLACK	1830765
WHEEL 3.00X8 SOLID BLACK	1830767

Description	After Market
	Tire only (1 pcs)
WHEEL 3.00X8 MUD/SNOW AIR TIRE BLACK	1831531

Caster wheel Line profile	Not applicable	210x65 (8") Air filled
	180x62 (7") Solid	210x65 (8") Solid

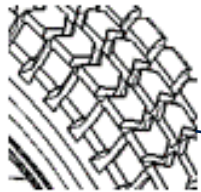


Description	After Market
	Tire only (1 pcs)
WHEEL KIT AIR 210X65 BLACK	1830790
WHEEL KIT SOLID 210X65 BLACK	1830791

Description	After Market
	Complete wheel (1 pcs)
WHEEL KIT SOLID 180X66 BLACK	1832937

Tires / Wheels F-Series (model 2019)

	F3 / F5
Drive wheel	Air filled / standard profile
	Solid /Standard profile
	Air filled deep profile (all weather tires)



Description	After Market (1 pcs)
WHEEL 3.00X8 AIR BLACK	1830765 (Tire only)
WHEEL 3.00X8 SOLID BLACK	1830767 (Tire only)



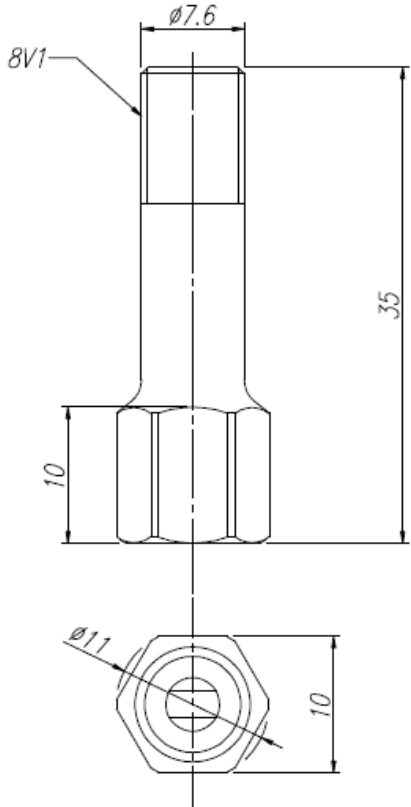
Description	After Market (1 pcs)
WHEEL 3.00X8 MUD/SNOW AIR TIRE BLACK	1831531 (Tire only)

Caster wheel Line profile	210x65 (8") Air filled
	210x65 (8") Solid



Description	After Market
WHEEL KIT AIR 210X65 BLACK	1830790 (Tire only)
WHEEL KIT SOLID 210X65 BLACK	1835489 (Complete wheel)

Valve adapter



After Market	Description
1834956	VALVE ADAPTER

Delivered if air filled caster wheels are ordered

Mud guards F-series Model 2019

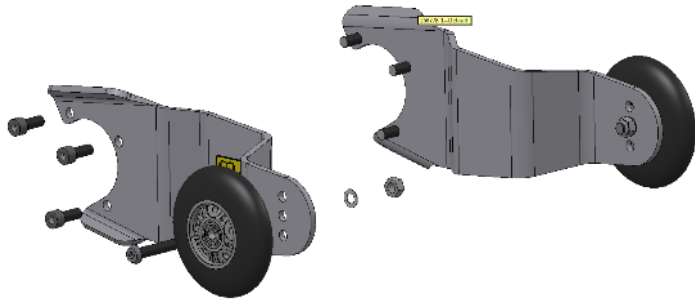


After Market	Description
1835540 (left)	
1835541 (right)	MUD GUARD KIT

Chassis accessories

Support Wheel kit and Tie-down hooks F3/F5 Corpus

■ Corpus Support wheels



After Market	Description
1830752	SUPPORT WHEEL KIT

Notes:

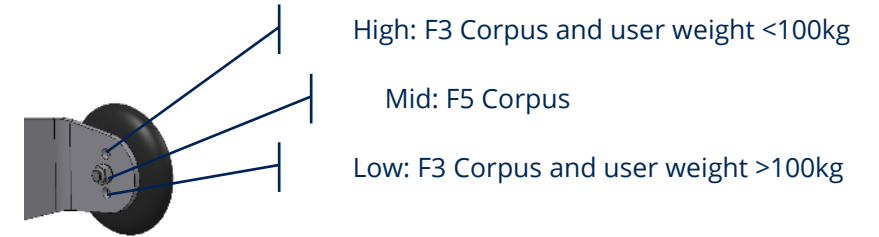
-Support Wheels are always required to enable active height
(Elevated driving at 5kmh)

-When are the support wheels not required?:

F3 Corpus: if Max speed is 8km/h
and User weight <100kg
and Seat depth is ≥ 470mm

F5 Corpus: if Max speed is 10km/h
and User weight <100kg
and Seat depth is ≥ 455mm

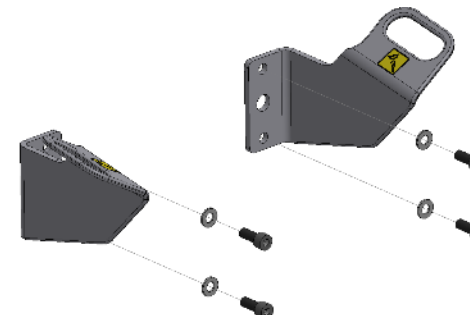
■ Support wheels mounting position



After Market	Description
n/a	SUPPORT WHEEL MOUNT POSITION MID
n/a	SUPPORT WHEEL MOUNT POSITION HIGH
n/a	SUPPORT WHEEL MOUNT POSITION LOW

■ Corpus tie-down hooks

Installed on all F-Series with Corpus Seat

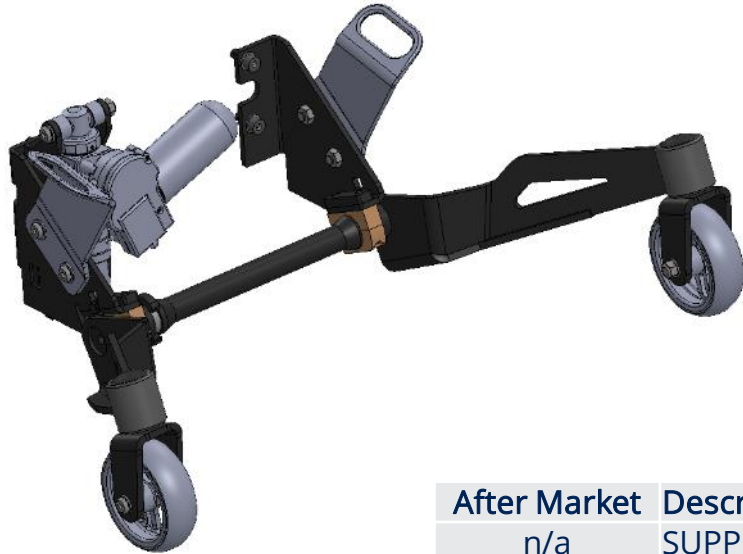


After Market	Description
1831238	TIE-DOWN BRACKET FRONT CORPUS

Support Wheel kit and Tie-down hooks F5 Corpus VS

- **Corpus VS** support wheels
incl. tie-down hooks

Installed on all F-Series with Corpus VS Seat



After Market	Description
n/a	SUPPORT WHEELS CORPUS VS

Light kit F-Series (model < 2109) and M-series

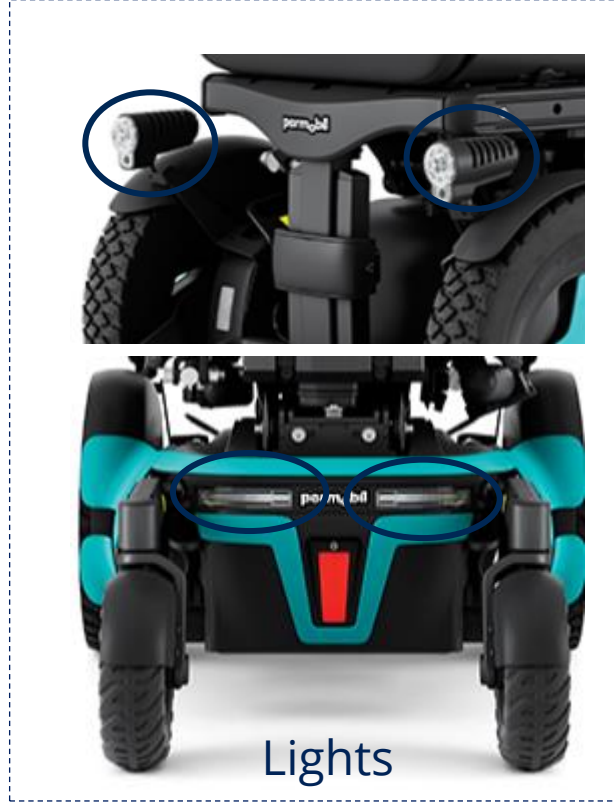


After Market	Description	When used
n/a	REFLECTOR KIT	F3/F5/M3/M5 without light kit
1830761	LIGHT KIT LED F3/F5	F3/F5 Complete light kit mounted on chassis
n/a	LIGHT KIT LED (LUGG BOX) F3/F5	F3/F5 Tail reflectors on chassis / taillights mounted on luggage carrier
1833004	LIGHT KIT LED M3/M5	M3/M5 Complete light kit mounted on chassis
1833007	LIGHT KIT LED (LUGG BOX) M3/M5	M3/M5 Tail reflectors on chassis / taillights mounted on luggage carrier

Light kit F series (model 2019)



Reflectors



Lights

After Market	Description
n/a	REFLECTOR KIT
n/a	LIGHT KIT LED F3/F5

Luggage Carrier

- Model depends on light kit:
 - Luggage carrier with rear lights and blinkers
 - Luggage carrier with rear reflectors



	After Market	Description
F-Series >2019		LUGGAGE BOX INCL TAIL LIGHTS/BLINKERS
M Series		
F-Series < 2019	1831402	LUGGAGE BOX INCL TAIL LIGHTS/BLINKERS
All F/M	1831997	LUGGAGE BOX INCL TAIL REFLECTOR

- **Taillights and blinkers both on chassis AND luggage carrier**
 (Only for M series and F series <2019)
 - Article to compensate for not paid “double” taillights

	After Market	Description
M Series		
F-Series < 2019	n/a	REAR LIGHTS ON CHASSIS AND LUGGAGE BOX

Remote stop R-Net

Attendant can remotely stop the chair from driving.
Range in open field appr.: 100 meter



	After Market	Description
M-Series F3/5 Corpus < 2019 All F5 Corpus VS	1828544	REMOTE STOP WITH BRACKET
New F3/5 Corpus Model 2019	1835804	REMOTE STOP WITH BRACKET

Chassis prepared for Dahl Carlock

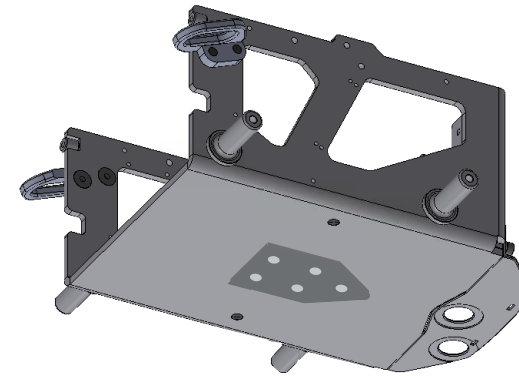
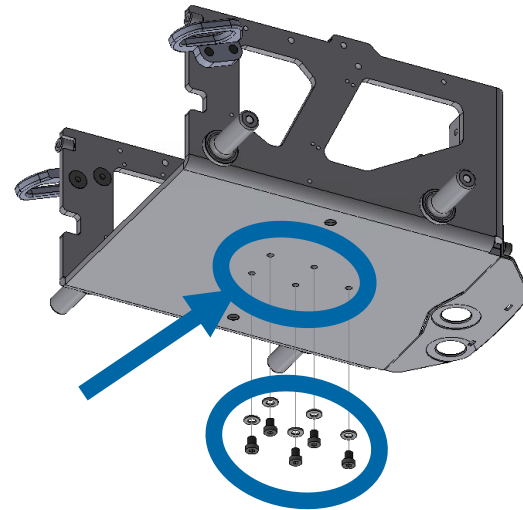


Dahl lock needs to be ordered directly from Dahl



F and M chassis have standard 5 x 4mm holes as markers where the M8 threaded holes needs to be made.

“Preparation for Dahl lock” means that the M8 threaded holes will be made and temporary M8 bolts will be mounted to protect the thread.



Dahl adapter can be ordered and installed

After Market	Description
N/A	PREPARED FOR DAHL CARLOCK
N/A	MOUNT DAHL LOCKING PLATE

Driving

Controls



After Market	Description
n/a	WITHOUT CTRL PANEL
1831273	JOYSTICK 3.5" COLOR DISPLAY
1833061	JOYSTICK 3.5" COLOR DISPLAY WITH BLUETOOTH
1825758	CONTROL PANEL LED R-NET
1822772	JOYSTICK COMPACT ADVANCED R-NET
1827842	JOYSTICK R-NET CJSJSM HEAVY DUTY
1827451	TABLESTEERING R-NET FLIPOVER PANEL C 3G 600
1827452	TABLESTEERING R-NET FLIPOVER PANEL C 3G 650
1831274	CABLE CONTROL PANEL R-NET CJSJSM2 1.5m
1821538	CABLE CONTROL PANEL R-NET 0.5m

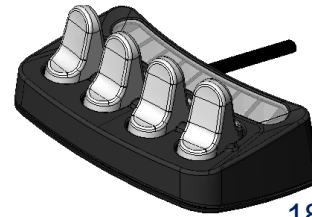
- Note to table steering:**
 Not compatible Trough Armrests
 Not compatible with swing away armrests
 Not compatible with Corpus VS

JS mounts

After Market	Description
1832916	PANEL HOLDER PARALLEL MOTION UNITRACK
1822455	PANEL HOLDER 335 VR2 R-NET
1822456	PANEL HOLDER 435 VR2 R-NET
1835297	BP TRI-LOCK MIDLINE MOUNT FOR R-NET JOYSTICK
1835298	BP TRI-LOCK MIDLINE MOUNT FOR COMPACT JOYSTICK WITHOUT HOLDER CONTROL PANEL
1825815	PANEL HOLDER BRACKET C 3G
1834089	HEIGHT ADJUSTABLE JOYSTICK BRACKET RIGHT
1834151	HEIGHT ADJUSTABLE JOYSTICK BRACKET LEFT
1834150	HEIGHT ADJUSTABLE JOYSTICK BRACKET CLAMP



Switch box and mounts

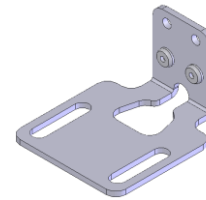


1823294



1823293

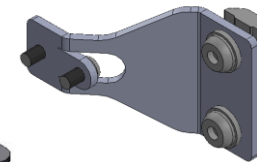
After Market	Description
1823294	TOGGLE SWITCH BOX
1823293	PUSHBUTTON SWITCH BOX
n/a	WITHOUT SWITCH BOX
1822845	BRACKET SWITCH BOX PANELHOLDER
1822846	BRACKET SWITCHBOX UNITRAC/ARMREST
1829220	BRACKET SWITCH BOX BACK CORPUS 3G



1822845

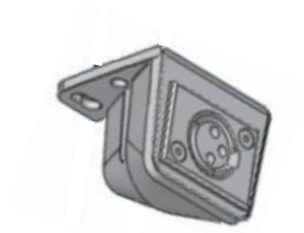


1822846



1829220

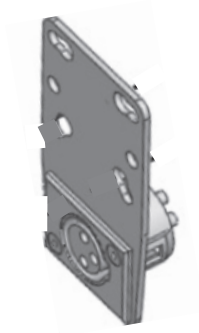
External charger socket



1823043



1823043



1823043

After Market	Description
1823043	CHARGER SOCKET EXTERNAL MOUNTED ON THE ARMREST
1823043	CHARGER SOCKET EXTERNAL MOUNTED ON BAR ACCESSORIES
1823043	CHARGER SOCKET EXTERNAL MOUNTED UNDER SEAT FRAME

- **Note:**
Armrest mount not compatible with Corpus VS
- **Charger socket is required if:**
a joystick without charger socket or alternative drive is selected

R-Net Locking Key

After Market	Description
308802-99-0	R-NET LOCKING KEY



Optional Joystick knobs

Do not use	After Market	Description
100960-99-0	602154-00-0	JOYSTICK HANDLES PG MOD "FUNNEL"
100961-99-0	602151-00-0	JOYSTICK HANDLES PG MOD "T"
100962-99-0	602152-00-0	JOYSTICK HANDLES PG MOD "BALL"
100963-99-0	602155-99-0	JOYSTICK HANDLES PG MOD "SOFT BALL"
100964-99-0	602153-00-0	JOYSTICK HANDLES PG MOD "MUSHROOM"
100965-99-0	602156-00-0	JOYSTICK HANDLES PG MOD "STICK"
101165-99-0	307189-00-0	JOYSTICK HANDL SMALL BALL
101166-99-0	603086-99-0	JOYSTICK HANDLE PG STD
105442-99-0	1825195	JOYSTICK SOFTBALL BLACK WITH CONE
105846-99-0	1828135	JOYSTICK HANDLE BODYPOINT 3" U-SHAPED
105847-99-0	1828137	JOYSTICK HANDLE BODYPOINT 4" U-SHAPED
105848-99-0	1828139	JOYSTICK HANDLE BODYPOINT RUBBER DOME



100960-99-0



100961-99-0



100962-99-0



100963-99-0



100964-99-0



100965-99-0



101165-99-0



101166-99-0



105442-99-0



105846-99-0



105847-99-0



105848-99-0

Attendant controls

Attendant Joystick

After Market	Description
1831802	ATTENDANT CONTROL R-NET INCL BRACKET
1831799	ATTENDANT CONTROL CJS2 R-NET INCL BRACKET
1831801	ATTENDANT CONTROL LED R-NET INCL BRACKET
1826502	ATTENDANT CONTROL CO-PILOT R-NET INCL BRACK./PANEL
312380-99-0	EMERGENCY SWITCH CO-PILOT

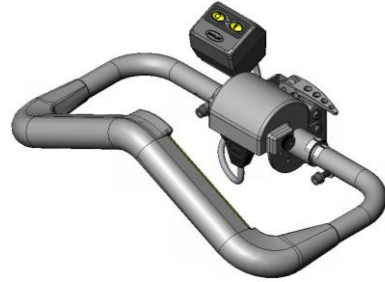


Copilot: 312380-99-0
Forus: 1828034

Attendant control



1833404



1826502



1831799



1831802



1831801

Includes:



After Market	Description
1833404	COPILOT 2 FOR CORPUS(3G)
1826502	COPILOT FOR CORPUS (3G)
1831799	JOYSTICK ATTENDANT RNET WITH 3.5" COLOR DISPLAY (not Bluetooth)
1831801	ATTENDANT CONTROL JOYSTICK LIGHT LED
1831802	JOYSTICK ATTENDANT RNET SPEED/MODE
n/a	JOYSTICK ATTENDANT MOUNTED AT RIGHT SIDE
n/a	JOYSTICK ATTENDANT MOUNTED AT LEFT SIDE

Emergency stop switch



312380-99-0

After Market	Description
312380-99-0	EMERGENCY STOP SWITCH Copilot

Supplementary accessories

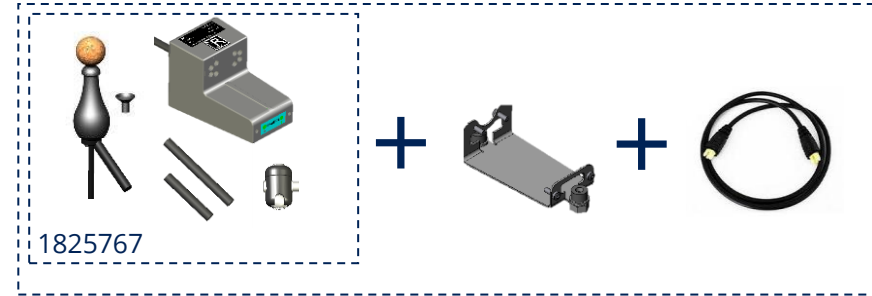
Joysticks



1822778



1822986



Including permofix mouting
Mounting bracket interface unit
R-Net cable 1.5m

After Market	Description	Notes
1822778	COMPACT JOYSTICK R-NET (tiltsenor)	Specify how it shall be used / mounted
1822986	COMPACT JOYSTICK LIGHT R-NET (tiltsensor)	Specify how it shall be used/ mounted
1825767 *1	MINI JOYSTICK R-NET	Specify how it shall be used/ mounted

Note:

*1: Mini Joystick excluding cable and mounting bracket

Bluetooth modules

After Market	Description
1831883	BLUETOOTH MODULE MOUSE 1
1831884	BLUETOOTH MODULE MOUSE 2
1831852	BLUETOOTH MODULE IDEVICE
1828615	CABLE ADAPTER MOUSE COUNTROL BLUETOOTH R-NET



1831852
1831883
1831884



1828615

Is expected to become
obsolete 31-12-2020

Switches

After Market	Description	Notes
0035-7011A	SWITCH SET CHIN CONTROL COMPACT JOYSTICK	Specify how it shall be used/ mounted
1820095	SWITCH BUDDY BUTTON 63MM BLACK TASH	Specify how it shall be used/ mounted
1820096	SWITCH BUDDY BUTTON 63MM RED TASH	Specify how it shall be used/ mounted
1820100	SWITCH BUDDY BUTTON 63MM YELLOW TASH	Specify how it shall be used/ mounted
1820039	SWITCH MICRO LIGHT TASH	Specify how it shall be used/ mounted
1820028	SWITCH CUP TASH	Specify how it shall be used/ mounted
1820029	SWITCH MINI CUP TASH	Specify how it shall be used/ mounted
1820042	SWITCH GRASP TASH	Specify how it shall be used/ mounted



0035-7011A



1820095
1820096
1820100



1820039



1820028



1820029



1820042

Interface modules



1831366



0049-7010A



1823591

After Market	Description	Notes
1831366	USB CHARGER CORPUS / CORPUS VS	
0049-7010A	REMOTE BUTTON INTERFACE R-NET SWITCH BOX ALTERNATIVE ICS 8-INPUTS	Specify how it shall be used
1823591		Specify how it shall be used

Others



306818-99-90-0



1823601

After Market	Description	Notes
306818-99-90-0	CHEST SUPPORT FOR TABLE	
1823601	PANEL HOLDER ATTANDANT JOYSTICK	Specify how it shall be used

Alternative Drives / MagicDrive Touch

MagicDrive Touch Basic

MagicDrive Touch Basic set



After Market	Description	Notes
0028-7003A	MAGICDRIVE TOUCH 400R	Version without Mobile phone functionality
0028-7009A	MAGICDRIVE TOUCH 420R	Version with Mobile phone functionality
1824291	CABLE BUS R-NET 1.5M	

Note:

All alternative drive systems require a specialty form with information what is used, how it is used and how it is mounted

MagicDrive Touch Applications

After Market	Description	Notes
0055-7055A	MAGICDRIVE TOUCH MULTIMEDIA	
0028-7039A	MAGICDRIVE TOUCH TEXT TO SPEECH (MESSENGER)	Requires a voice license
0028-7040A	MAGICDRIVE TOUCH TEXT VOICE FEEDBACK	Requires a voice license
0028-7036A	MAGICDRIVE TOUCH VOICE UK	
0028-7036L	MAGICDRIVE TOUCH VOICE ES	
0028-7036M	MAGICDRIVE TOUCH VOICE NL	
0028-7036B	MAGICDRIVE TOUCH VOICE BE	
0028-7036C	MAGICDRIVE TOUCH VOICE FR	
0028-7036D	MAGICDRIVE TOUCH VOICE DE	
0028-7036E	MAGICDRIVE TOUCH VOICE SE	
0028-7036F	MAGICDRIVE TOUCH VOICE NO	
0028-7036G	MAGICDRIVE TOUCH VOICE DK	
0028-7036I	MAGICDRIVE TOUCH VOICE IT	
0028-7036K	MAGICDRIVE TOUCH VOICE SP	
0028-7036J	MAGICDRIVE TOUCH VOICE PT	
0028-7036H	MAGICDRIVE TOUCH VOICE FI	

Note:

All alternative drive systems require a specialty form with information what is used, how it is used and how it is mounted

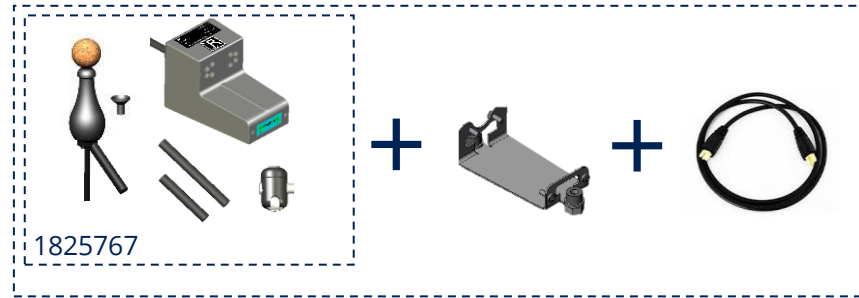
MagicDrive Touch Input devices (standard)



1822778



1822986



108298-99-0- on a new chair



1822772



1828888

0049-7010aA

1828888 + 0049-7010A
 1828888 + 0049-7010A
 1828888 + 0049-7010A

After Market	Description	Notes
1822778	COMPACT JOSTICK OMNI	
1822986	COMPACT JOYSTSICK LIGHT OMNI	
1825767 *1	MINI JOYSTICK OMNI	
1822772	COMPACT JOYSTICK ADVANCED	
n/a	1 SWITCH CONTROL (STD SCANNER)	Switch to be ordered separately
n/a	2 SWITCH CONTRL (1 SWITCH WITH MNAUAL SCAN)	Switches to be ordered separately
1828888 + 0049-7010A	3 SWITCH CONTROL („HEAD CONTROL“)	Switches to be ordered separately
1828888 + 0049-7010A	4 SWITCH CONTROL (STD 4 SWITCH)	Switches to be ordered separately
1828888 + 0049-7010A	4+1 SWITCH CONTROL (STD 4 SWITCH + FUNCTION SW)	Switches to be ordered separately
n/a	NO INPUT DEVICE / MDT ONLY	

Note:

All alternative drive systems require a specialty form with information what is used, how it is used and how it is mounted

Note:

*1: Mini Joystick excluding cable and mounting bracket

MagicDrive Touch input devices (customization)

Customization



After Market	Description	Notes
	HEAD ARRAY FOR OMNI (EU VERSION)	Needs customized mounting bracket + RBI
	PROPORTIONAL 4 DIRECTIONAL FOOTCONTROL	Customized build by PAB
	PROPORTIONAL 3 DIRECTIONAL FOORCONTROL	Customized build by PAB

Note:

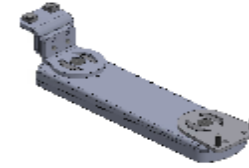
All alternative drive systems require a specialty form with information what is used, how it is used and how it is mounted

MagicDrive Touch Input device holders

After Market	Description	Notes
1832916	PANEL HOLDER PLG	
1824777	PERMOFIX ARMREST MOUNT COMPACT JOYSTICK	
1824779	PERMOFIX ARMREST MOUNT MINI JOYSTICK	
1824780	PERMOFIX ARMREST MOUNT CJS AND OMNI DISPLAY	
1824781	PERMOFIX ARMREST MOUNT MINI JS AND OMNI DISPLAY	
1835298	BODYPOINT TRI-LOCK MISLINEMOUNT COMPACT JS	
0056-7001A	HARNESS CHIN CONTROL	Requires additional permofix
1827447	HOLDER CHIN JOYSTICK BACKREST MOUNT WITHOUT HOLDER	
	HOLDER ARMREST MOUNT LEFT	
	HOLDER ARMREST MOUNT RIGHT	
	HOLDER BACKREST MOUNT LEFT	
	HOLDER BACKREST MOUNT RIGHT	

Note:

All alternative drive systems require a specialty form with information what is used, how it is used and how it is mounted



Holder PLG



BP Midline CJS



Holder Mini JS



Holder Mini JS + Display



Holder CJS



Holder CJS + Display



Holder chin JS Backrest



Harness Chin JS

MagicDrive Touch Display holder



1824776



1828960

After Market	Description	Notes
1824776	PERMOFIX ARMREST MOUNT MAGICDRIVE TOUCH	
1828960	PANEL;HOLDER BRACKET UNITRACK	Automatic selected if required
n/a	HOLDER DISPLAY MOUNT RIGHT	
n/a	HOLDER DISPLAY MOUNT LEFT	

Note:

All alternative drive systems require a specialty form with information what is used, how it is used and how it is mounted

MagicDrive Touch On/Off Switch



0035-7011A



0035-7014A

After Market	Description	Notes
0035-7011A	SWITCH SET CHIN CONTROL COMPACT JOYSTICK	
0035-7014A	SWITCH SET DOUBLE COMPACT JOYSTICK	
1820095	SWITCH BUDDY BUTTON 63MM BLACK TASH	Specify how it shall be used/ mounted
1820096	SWITCH BUDDY BUTTON 63MM RED TASH	Specify how it shall be used/ mounted
1820100	SWITCH BUDDY BUTTON 63MM YELLOW TASH	Specify how it shall be used/ mounted
1820039	SWITCH MICRO LIGHT TASH	Specify how it shall be used/ mounted
1820028	SWITCH CUP TASH	Specify how it shall be used/ mounted
Note: All alternative driver systems require a specialty form with information what is used, how it is used and how it is mounted.		Specify how it shall be used/ mounted
1820042	SWITCH GRASP TASH	Specify how it shall be used/ mounted



1820039



1820028



1820029



1820042



1820096
1820100
1820039

MagicDrive Touch Function select Switch

After Market	Description	Notes
1820095	SWITCH BUDDY BUTTON 63MM BLACK TASH	Specify how it shall be used/ mounted
1820096	SWITCH BUDDY BUTTON 63MM RED TASH	Specify how it shall be used/ mounted
1820100	SWITCH BUDDY BUTTON 63MM YELLOW TASH	Specify how it shall be used/ mounted
1820039	SWITCH MICRO LIGHT TASH	Specify how it shall be used/ mounted
1820028	SWITCH CUP TASH	Specify how it shall be used/ mounted
1820029	SWITCH MINI CUP TASH	Specify how it shall be used/ mounted
1820042	SWITCH GRASP TASH	Specify how it shall be used/ mounted



1820039



1820028



1820029



1820041



1820095
1820096
1820100

Note:

All alternative drive systems require a specialty form with information what is used, how it is used and how it is mounted

MagicDrive Touch Optional Joystick knobs

Do not use	After Market	Description
100960-99-0	602154-00-0	JOYSTICK HANDLES PG MOD "FUNNEL"
100961-99-0	602151-00-0	JOYSTICK HANDLES PG MOD "T"
100962-99-0	602152-00-0	JOYSTICK HANDLES PG MOD "BALL"
100963-99-0	602155-99-0	JOYSTICK HANDLES PG MOD "SOFT BALL"
100964-99-0	602153-00-0	JOYSTICK HANDLES PG MOD "MUSHROOM"
100965-99-0	602156-00-0	JOYSTICK HANDLES PG MOD "STICK"
101165-99-0	307189-00-0	JOYSTICK HANDL SMALL BALL
101166-99-0	603086-99-0	JOYSTICK HANDLE PG STD
105442-99-0	1825195	JOYSTICK SOFTBALL BLACK WITH CONE
105846-99-0	1828135	JOYSTICK HANDLE BODYPOINT 3" U-SHAPED
105847-99-0	1828137	JOYSTICK HANDLE BODYPOINT 4" U-SHAPED
105848-99-0	1828139	JOYSTICK HANDLE BODYPOINT RUBBER DOME



100960-99-0



100961-99-0



100962-99-0



100963-99-0



100964-99-0



100965-99-0



101165-99-0



101166-99-0



105442-99-0



105846-99-0

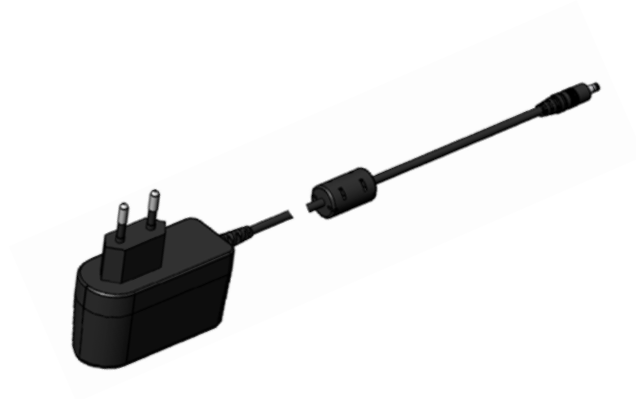


105847-99-0



105848-99-0

MagicDrive Touch Charger



Charger EU

After Market Description	Notes
7000-7007A MAGICDRIVE TOUCH CHARGER EU	

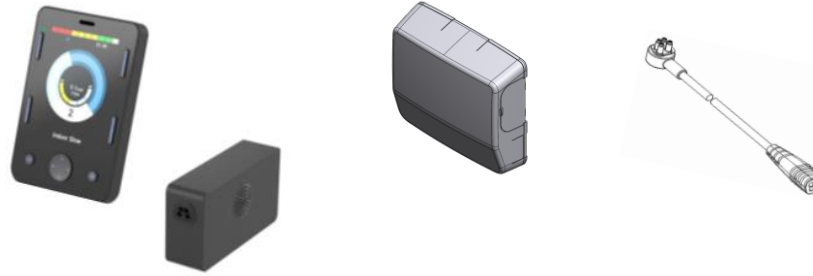
Note:

All alternative drive systems require a specialty form with information what is used, how it is used and how it is mounted

Alternative Drives / OMNI

OMNI Interface and Display cable

OMNI Interface incl mounting set
For specific chair models



After Market	Description	Notes
1835500	OMNI2 CONTROL MODULE R-NET - CORPUS	
1835502	OMNI2 CONTROL MODULE R-NET - K450	
1835501	OMNI2 CONTROL MODULE R-NET - PSJR	
1835530	OMNI2 CONTROL MODULE R-NET - KOALA	
1835138	OMNI2 CONTROL MODULE R-NET - M1	

Display cable
1.5m or 2m



After Market	Description	Notes
1835247	OMNI2 DISPLAY CABLE 1.5M	Standard used
1835548	OMNI2 DISPLAY CABLE 2M	Center mounted, longest armrest, wide seat / Corpus HD

Note:

All alternative drive systems require a specialty form with information what is used, how it is used and how it is mounted

OMNI input devices (standard)



1822988



1822990



1821743



1828888

After Market	Description	Notes
1822988	COMPACT JOSTICK OMNI	
1822990	COMPACT JOYSTSICK LIGHT OMNI	
1821743	MINI JOYSTICK OMNI	
	PREPARED FOR SINGLE SWITCH SCANNER	Switches to be ordered separately
1828888	PREPARED FOR 3 SWITCH CONTRL	Switches to be ordered separately
1828888	PREPARED FOR 4 SWITCH CONTROL	Switches to be ordered separately
1828888	PREPARED FOR 5 SWITCH CONTROL	Switches to be ordered separately
1828888	NO-INPUT DEVICE – DISPLAY ONLY	

Note:

All alternative drive systems require a specialty form with information what is used, how it is used and how it is mounted

OMNI input devices (customization)

Customization



0055-7040A



1822075



After Market	Description	Notes
0055-7040A	HEAD ARRAY FOR OMNI (EU VERSION)	Needs customized mounting bracket
1822075	PROPORTIONAL 4 DIRECTIONAL FOOTCONTROL	Needs customized mounting bracket
	PROPORTIONAL 3 DIRECTIONAL FOOTCONTROL	Customized build by PAB

Note:

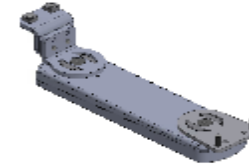
All alternative drive systems require a specialty form with information what is used, how it is used and how it is mounted

OMNI input device holders

After Market	Description	Notes
1832916	PANEL HOLDER PLG	
1824777	PERMOFIX ARMREST MOUNT COMPACT JOYSTICK	
1824779	PERMOFIX ARMREST MOUNT MINI JOYSTICK	
	PERMOFIX ARMREST MOUNT CJS AND OMNI DISPLAY	
	PERMOFIX ARMREST MOUNT MINI JS AND OMNI DISPLAY	
1835298	BODYPOINT TRI-LOCK MISLINEMOUNT COMPACT JS	
0056-7001A	HARNESS CHIN CONTROL	Requires additional permofix
1827447	HOLDER CHIN JOYSTICK BACKREST MOUNT	
	HOLDER ARMREST MOUNT LEFT	
	HOLDER ARMREST MOUNT RIGHT	
	HOLDER BACKREST MOUNT LEFT	
	HOLDER BACKREST MOUNT RIGHT	

Note:

All alternative drive systems require a specialty form with information what is used, how it is used and how it is mounted



Holder PLG



BP Midline CJS



Holder Mini JS



Holder Mini JS + Display



Holder CJS



Holder CJS + Display



Holder chin JS Backrest



Harness Chin JS

OMNI Display holders



Holder OMNI Display



Swing Away Holder OMNI Display



PB Tri-Lock OMNI Display adapter

After Market	Description	Notes
	PERMOFIX ARMREST MOUNT OMNI DISPLAY	
1826839	HOLDER SWING AWAY OMNI DISPLAY	
1834817	BODYPOINT TRI-LOCK MIDLINE OMNI MOUNT ADAPTER	To be used with BP midline mount
	HOLDER DISPLAY MOUNT LEFT	
	HOLDER DISPLAY MOUNT RIGHT	

Note:

All alternative drive systems require a specialty form with information what is used, how it is used and how it is mounted

OMNI Switches



0035-7011A



0035-7014A

After Market	Description	Notes
0035-7011A	SWITCH SET CHIN CONTROL COMPACT JOYSTICK	
0035-7014A	SWITCH SET DOUBLE COMPACT JOYSTICK	
1820095	SWITCH BUDDY BUTTON 63MM BLACK TASH	Specify how it shall be used/ mounted
1820096	SWITCH BUDDY BUTTON 63MM RED TASH	Specify how it shall be used/ mounted
1820100	SWITCH BUDDY BUTTON 63MM YELLOW TASH	Specify how it shall be used/ mounted
1820039	SWITCH MICRO LIGHT TASH	Specify how it shall be used/ mounted
1820028	SWITCH CUP TASH	Specify how it shall be used/ mounted
1820029	SWITCH MINI CUP TASH	Specify how it shall be used/ mounted
1820042	SWITCH HIGH TASH	Specify how it shall be used/ mounted

Note:
All alternative drive systems require a specialty form with information on what is used, how it is used and how it is mounted



1820039



1820028



1820029



1820042

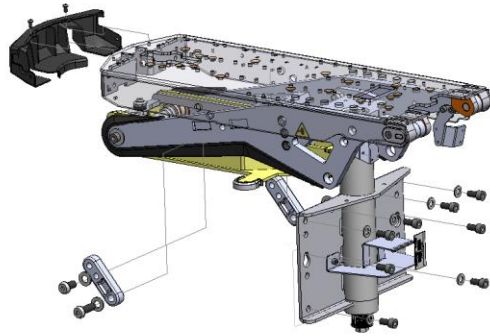


1820096
1820100
1820039

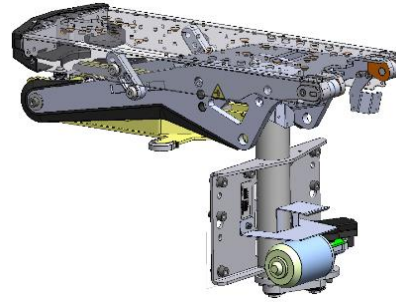
Seat mounting

Seat assembly Corpus

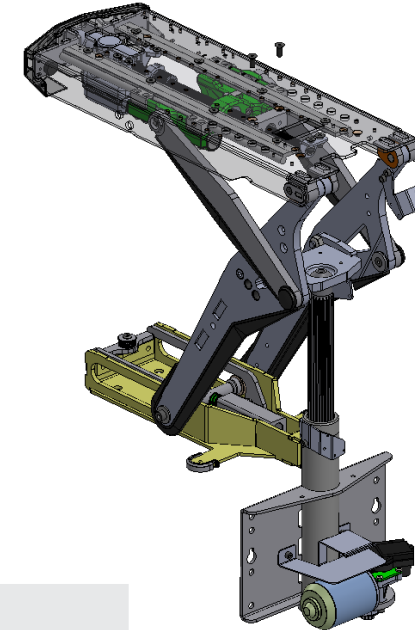
- Fixed seat height / No Tilt



- Tilt only



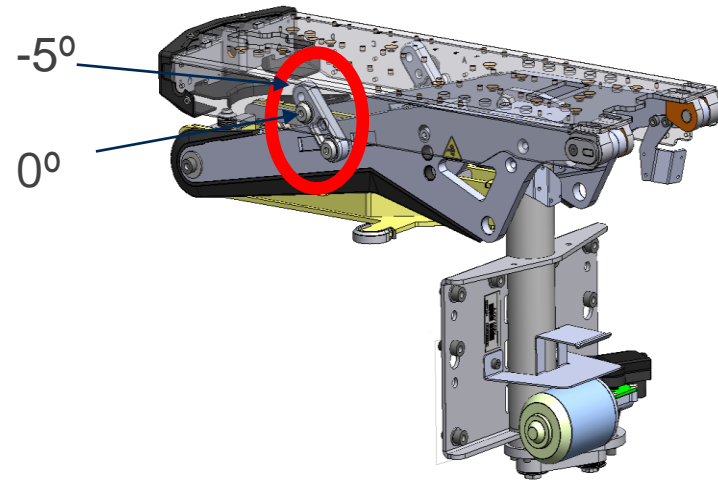
- AP-Elevator (incl. Tilt)



				After Market Description	
SEAT TUBE FIXED	SEAT ELEVATOR	SEAT TILT FIXED	SEAT TILT 50°		
Yes	No	Yes	No	1831372	AP-ELEVATOR FIXED
Yes	No	No	Yes	1831371	AP-ELEVATOR TILT ONLY
No	Yes	No	Yes	1831280	AP-ELEVATOR
Yes	No	Yes	No	Not possible	

Seat assembly and anterior tilt (Corpus only)

- Mounting the seat at 0° or -5°.
 - Only possible if “Tilt only” or “No tilt-No elevation” is used.



After Market	Description
n/a	SEAT MOUNT HORIZONTAL
2 x 1831514	SEAT MOUNT ANTERIOR -5°

Seat assembly and anterior tilt (Corpus only)

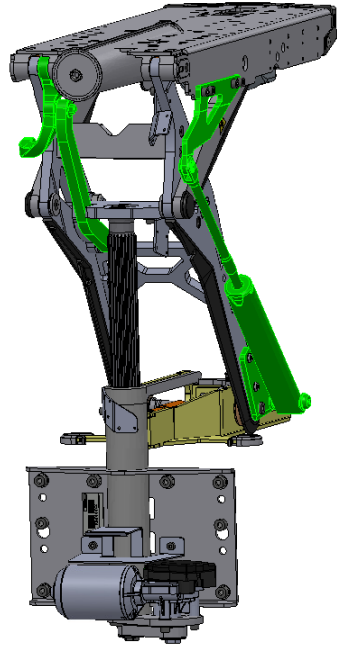
- Only possible with a complete AP elevator with powered seat tilt and powered seat elevation
 - **No** Anterior tilt
 - **10°** Anterior tilt: Active seating / Tone management
 - **20°** Anterior tilt: Active reach
 - Requires “Corpus VS” leg rest and knee support
 - **30° / 45°** Anterior tilt: Transfer assist (F3/F5 only)
 - Requires Transfer leg rest



Only available new chair	Programming	F3	F5	M3	M5
107090-99-0	Tone management	10°	10°	10° *1	10° *1
107091-99-0	Active reach	20°	20°	20° *1	20° *1
107627-99-0	Transfer	30°	--	--	--
107092-99-0	Transfer	--	45°	--	--

*1: User weight < 136kg

Seat assembly Corpus VS



- AP-Elevator (incl. Tilt)
 - The F5 Corpus VS is always equipped with elevator AND tilt

Only available on a new chair	After Market	Description	Note
	1831370	AP-ELEVATOR	
107095-99-0		SEAT TILT 50°	AP-Elevator enabled for tilt
107096-99-0		FIXED SEAT ANGLE (0°)	AP-Elevator disabled for tilt